



Regency Horizon™ HZO42 Outdoor Gas Fireplace

Owners & Installation Manual

MODELS: HZO42-NG
HZO42-LP



www.regency-fire.com

Horizon HZO42 Product Video

WARNING: FOR OUTDOOR USE ONLY

WARNING:

If the information in these instructions are not followed exactly, a fire or explosion may result causing property damage, personal injury or loss of life.

FOR YOUR SAFETY

Do not store or use gasoline or other flammable vapours and liquids in the vicinity of this or any other appliance.

Installation and service must be performed by a qualified installer, service agency or the gas supplier.

FOR YOUR SAFETY

What to do if you smell gas:

- Do not try to light any appliance
- Do not touch any electrical switch: do not use any phone in your building.
- Immediately call your gas supplier from a neighbour's phone. Follow the gas supplier's instructions.
- If you cannot reach your gas supplier, call the fire department.

WARNING:

Improper installation, adjustment, alteration, service or maintenance can cause injury or property damage. Read the installation, operating and maintenance instructions thoroughly before installing or servicing this equipment.

Tested by:



Installer: Please complete the details on the back cover and leave this manual with the homeowner.

Homeowner: Please keep these instructions for future reference.

To the New Owner:

Congratulations!

You are the owner of a state-of-the-art Gas Fireplace by REGENCY®. The Horizon™ HZO42 Outdoor fireplace has been designed to provide you with all the warmth and charm of a fire at the flick of a switch. The Horizon™ HZO42 Outdoor fireplace has been approved by Warnock Hersey/Intertek for both safety and efficiency. As it also bears our own mark, it promises to provide you with economy, comfort and security for many trouble free years to follow. Please take a moment now to acquaint yourself with these instructions and the many features of your Regency® Fireplace.



WARNING!



**HOT GLASS WILL
CAUSE BURNS**

**DO NOT TOUCH GLASS
UNTIL COOLED**


**NEVER ALLOW CHILDREN
TO TOUCH GLASS**



*Regency Horizon
Gas Inserts Benefits Video*




Horizon HZO42 Product Video



**NATIONAL
FIREPLACE
INSTITUTE**
CERTIFIED
www.nficertified.org

We recommend that our products be installed and serviced by professionals who are certified in the U.S. by the National Fireplace Institute® (NFI) or in Canada by Wood Energy Technical Training (WETT).



*Wood Energy
Technical Training*
www.wettinc.org



SAFETY LABEL

Copy of Safety Decal.....	4
---------------------------	---

DIMENSIONS

Unit Dimensions	5
-----------------------	---

INSTALLATION

Important Message	6
Before You Start	6
General Safety Information.....	6
Installation Checklist.....	7
Locating Your Gas Fireplace	7
Outdoor appliance installation summary	8
Minimum Clearances to combustibles.....	9
Framing Dimensions.....	10
Mantel Clearances.....	11
Non-Combustible Requirements	11
Finishing	12
High Elevation	13
Gas Line Installation.....	13
Pilot Adjustment.....	13
Gas Pipe Pressure Testing	13
880 S.I.T. Valve Description.....	13
Aeration Adjustment	13
Unit Assembly Prior to Installation.....	14
Standoff Assembly	14
Nailing Strips.....	14
Drain Installation (Recommended).....	15
Wall switch and battery installation.....	16
Wiring Diagram.....	17
Inner panel installation.....	18
Glass crystal installation	19
volcanic stone installation	20
Optional Log Set Installation.....	21
Heat deflector installation	23
Faceplate installation.....	24
Glass wind shield installation.....	25
Weather cover installation / removal	25
Operating Instructions	31
Lighting Procedure	31
Shutdown Procedure	31

First Fire	31
Aeration Adjustment	31
Copy of Lighting Plate Instructions.....	32

MAINTENANCE

Maintenance Instructions.....	33
Valve assembly Replacement	34

PARTS

Main Assembly	37
Burner Assembly	38
Accessories	39

WARRANTY

Limited Warranty:	43
-------------------------	----

SAFETY LABEL

This is a copy of the label that accompanies each HZO42 Outdoor Fireplace. We have printed a copy of the contents here for your review.


NOTE: Regency® units are constantly being improved. Check the label on the unit and if there is a difference, the label on the unit is the correct one.

For the State of Massachusetts, installation and repair must be done by a plumber or gas fitter licensed in the Commonwealth of Massachusetts.

For the State of Massachusetts, flexible connectors shall not exceed 36 inches in length.

For the State of Massachusetts, the appliances individual manual shut-off must be a t-handle type valve.

COPY OF SAFETY DECAL



Listed: OUTDOOR GAS FIREPLACE / FOYER À GAZ EXTERIEUR
Certified for/Certifié pour: CANADA and U.S.A.
Tested to: CAN/CGA-2.17-M91 / IAS 4-96 (US) / CGA CR97-003 (CAN) 4001172

364

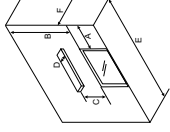
DO NOT REMOVE THIS LABEL / NE PAS ENLEVER CETTE ÉTIQUETTE

364

364

Duplicate S/N

**Minimum Clearances to Combustibles /
Dégagement Minimum De Matériaux Combustibles**



A Ceiling 11" (279mm)
B Min. Mantel Height 36" (914mm)
C Min. Mantel Depth 18" (457mm)
D Max. Mantel Depth 12" (305mm)
E Alcove Width 57" (1448mm)
F Alcove Depth 36" (914mm)

NATURAL GAS: Model HZO42-NG

Maximum supply pressure 5" (1.25 kPa)
Minimum supply pressure 3.5" (0.87 kPa)
Manifold pressure high #29
Orifice size 44,500 Btu/h
Maximum input 0-4500 ft/lp
Altitude (13.04 kW) (0-1372 m)

PROPANE GAS: Model HZO42-LP

Maximum supply pressure 14" (3.49 kPa)
Minimum supply pressure 11" (2.74 kPa)
Manifold pressure high #47
Orifice size 43,500 Btu/h
Maximum input 0-4500 ft/lp
Altitude (12.74 kW) (0-1372 m)

**ÉQUIPÉ À L'USINE POUR GAZ PROPANE
CONÇU POUR ÊTRE POËLE: Modèle HZO42**

Pression d'alimentation maximum
Pression d'alimentation minimum
Pression à la tubulure d'échappement élevée
Grandeur de l'injecteur
Débit Calorifique maximum selon l'altitude

**APPAREIL FONCTIONNANT AU NATURAL GAS
CONÇU POUR ÊTRE POËLE: Modèle HZO42**

Pression d'alimentation maximum
Pression d'alimentation minimum
Pression à la tubulure d'échappement élevée
Grandeur de l'injecteur
Débit Calorifique maximum selon l'altitude

FOR OUTDOOR USE ONLY / POUR USAGE EXTERIEUR SEULEMENT

○ HZO42-NG **○ HZO42-LP**

NOT FOR USE WITH SOLID FUELS / NE PAS UTILISER AVEC DES COMBUSTIBLES SOLIDES

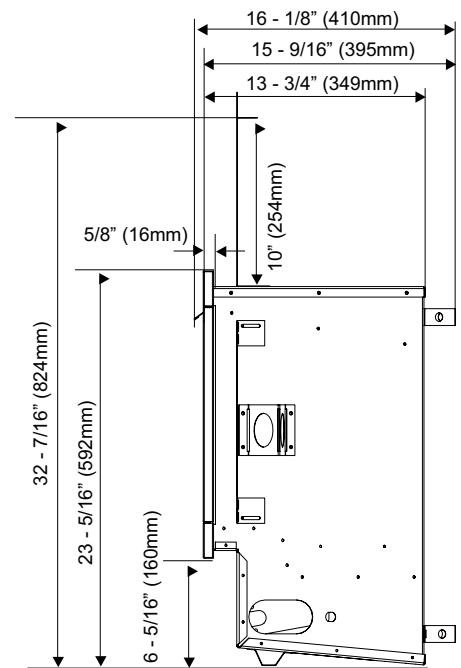
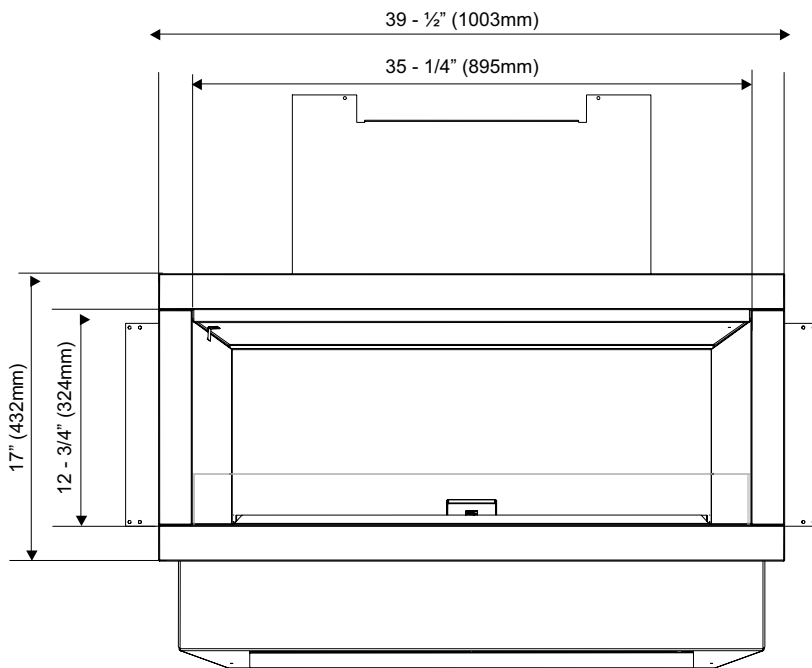
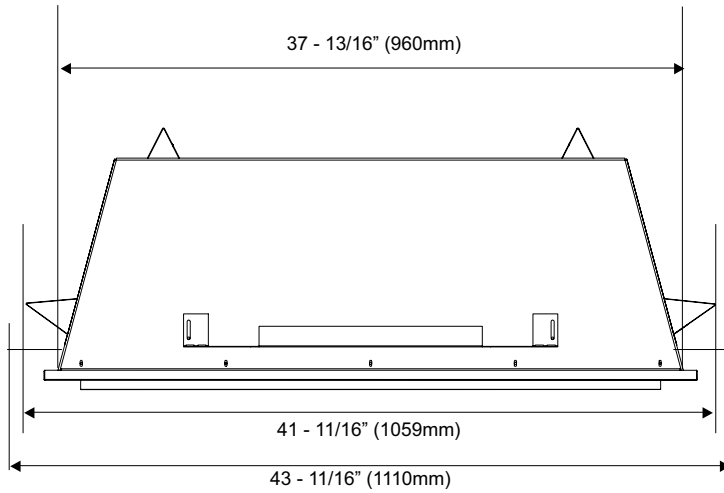
Delta, BC, Canada Vig 1H4

Delta, BC, Canada Vig 1H4

918-888b

The installation must conform with local codes or, in the absence of local codes, with CAN/CSA-B149.1, Natural Gas and Propane Installation Code or ANSI Z223.1/NFPA 54. The appliance, when installed, must be electrically grounded in accordance with local codes or, in the absence of local codes, with the Canadian Electrical Code, CSA C22.1 or with the National Electrical Code, ANSI/NFPA 70. This appliance is only for use with the type of gas indicated on the rating plate. See owner's manual for details. L'installation doit être conforme aux codes locaux ou, en l'absence de codes locaux, avec CAN/CSA-B149.1, gaz naturel et du propane ou du Code d'installation au ANSI Z223.1/NFPA 54. L'appareil, une fois installé, doit être connecté électriquement à la terre conformément aux codes locaux ou, en l'absence de codes locaux, avec le Code canadien de l'électricité, CSA C22.1 ou avec le National Electrical Code, ANSI/NFPA 70. Cet appareil est à utiliser uniquement avec le type de gaz indiqué sur la plaque signalétique. Voir le manuel du propriétaire pour les détails.

UNIT DIMENSIONS



INSTALLATION

IMPORTANT MESSAGE SAVE THESE INSTRUCTIONS

The HZO42 Gas Fireplace must be installed in accordance with these instructions. Carefully read all the instructions in this manual first. Consult the "authority having jurisdiction" to determine the need for a permit prior to starting the installation. It is the responsibility of the installer to ensure this fireplace is installed in compliance with manufacturers instructions and all applicable codes.

BEFORE YOU START

Safe installation and operation of this appliance requires common sense, however, we are required by the Canadian Safety Standards and ANSI Standards to make you aware of the following:

INSTALLATION AND REPAIR SHOULD BE DONE BY AN AUTHORIZED SERVICE PERSON. THE APPLIANCE SHOULD BE INSPECTED BEFORE USE AND AT LEAST ANNUALLY BY A PROFESSIONAL SERVICE PERSON. MORE FREQUENT CLEANING MAY BE REQUIRED DUE TO EXCESSIVE LINT FROM CARPETING, BEDDING MATERIAL, ETC. IT IS IMPERATIVE THAT CONTROL COMPARTMENTS, BURNERS AND CIRCULATING AIR PASSAGEWAYS OF THE APPLIANCE BE KEPT CLEAN.

ANY GUARD OR OTHER PROTECTIVE DEVICE REMOVED FOR SERVICING THE APPLIANCE MUST BE REPLACED PRIOR TO OPERATING THE APPLIANCE

WARNING: FAILURE TO INSTALL THIS APPLIANCE CORRECTLY WILL VOID YOUR WARRANTY AND MAY CAUSE A SERIOUS FIRE.

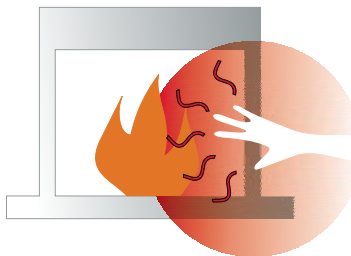
CHILDREN AND ADULTS SHOULD BE ALERTED TO THE HAZARDS OF HIGH SURFACE TEMPERATURES, ESPECIALLY THE FIREPLACE GLASS AND FACEPLATE, AND SHOULD STAY AWAY TO AVOID BURNS OR CLOTHING IGNITION.

THIS APPLIANCE SHALL BE USED ONLY OUTDOORS IN A WELL-VENTILATED SPACE AND SHALL NOT BE USED IN A BUILDING, GARAGE OR ANY OTHER ENCLOSED AREA.

DO NOT USE THIS APPLIANCE IF ANY PART HAS BEEN UNDER WATER. IMMEDIATELY CALL A QUALIFIED SERVICE TECHNICIAN TO INSPECT THE APPLIANCE AND TO REPLACE ANY PART OF THE CONTROL SYSTEM AND ANY GAS CONTROL WHICH HAS BEEN UNDER WATER.

CLOTHING OR OTHER FLAMMABLE MATERIAL SHOULD NOT BE PLACED ON OR NEAR THE APPLIANCE.

YOUNG CHILDREN SHOULD BE CAREFULLY SUPERVISED WHEN THEY ARE IN THE SAME AREA AS THE APPLIANCE. TODDLERS, YOUNG CHILDREN AND OTHERS MAY BE SUSCEPTIBLE TO ACCIDENTAL CONTACT BURNS. A PHYSICAL BARRIER IS RECOMMENDED IF THERE ARE AT RISK INDIVIDUALS IN THE HOUSE. TO RESTRICT ACCESS TO A FIREPLACE OR STOVE, INSTALL AN ADJUSTABLE SAFETY GATE TO KEEP TODDLERS, YOUNG CHILDREN AND OTHER AT RISK INDIVIDUALS OUT OF THE ROOM AND AWAY FROM HOT SURFACES.



GENERAL SAFETY INFORMATION

- 1) The installation must conform with local codes or, in the absence of local codes, with *CAN/CSA-B149.1*, Natural Gas and Propane Installation Code or *CAN/CSA-B149.2*, Propane installation code the Natural Gas Fuel Code, *ANSI Z223.1/NFPA 54*.
- 2) The appliance when installed, must be electrically grounded in accordance with local codes, or in the absence of local codes with the Canadian Electrical Code *CSA C22.1* or with the National Electrical Code, *ANSI/NFPA 70*.
- 3) See general construction and assembly instructions. The appliance should be enclosed.
- 4) Inspect the burner before each use of the appliance for blockage and any signs of deterioration.

- 5) To prevent injury, do not allow anyone who is unfamiliar with the operation to use the fireplace.
- 6) Wear gloves and safety glasses for protection while doing required maintenance.
- 7) Maximum gas inlet pressure = 1/2 psig.
- 8) Under no circumstances should this appliance be modified. Parts that have to be removed for servicing should be replaced prior to operating this appliance.
- 9) Installation and any repairs to this appliance should be done by a qualified service person. A professional service person should be called to inspect this appliance annually. Make it a practice to have all of your gas appliances checked annually.
- 10) Under no circumstances should any solid fuels (wood, paper, cardboard, coal, etc.) be used in this appliance.
- 11) The appliance and its individual shutoff valve must be disconnected from the gas supply piping system during any pressure testing of that system at test pressures in excess of 1/2 psi (3.5kPa).
The appliance must be isolated from the gas supply piping system by closing its individual manual shutoff valve during any pressure testing of the gas supply piping system at test pressures equal to or less than 1/2 psi (3.5 kPa).
- 12) The appliance area must be kept clear and free of combustible materials, (gases and other flammable vapours and liquids).

It is highly recommended to protect the interior from moisture (rain, snow). Cover the enclosure opening when not in use. This fireplace is only for use with the type of gas indicated on the rating plate. This fireplace is not convertible for use with other gases, unless a certified kit is used.
- 13) Cover **must** be removed when burner is in operation.
- 14) When not using appliance for extended periods of time - turn off gas supply.

Emissions from burning wood or gas could contain chemicals known to the State of California to cause cancer, birth defects or other reproductive harm.

INSTALLATION CHECKLIST

- 1) Locate appliance:
 - a) Refer to "Locating Your Gas fireplace" section
 - b) Clearances to Combustibles (Refer to "Clearances" section)
 - c) Mantel Clearances (Refer to "Combustible Mantel Clearances" section)
 - d) Framing & Finishing Requirements (Refer to "Framing & Finishing" section)
- 2) Top Facing Support and Side Nailing Strips (Refer to "Unit Assembly Prior to Installation" Section). **Note:** Must be done before installing unit into place.
- 3) Drain Installation.
- 4) Install ON/OFF switch - ensure it is in the OFF position.
- 5) Make gas connections - test for leaks.
- 6) Install 4 "AA" batteries
- 7) Install standard and optional features. Refer to the following sections:
 - a. Inner Panel
 - b. Glass Crystals
 - c. Pebble Installation (optional)
 - d. Garden Stone Installation (optional)
 - e. Log Installation (optional)
 - f. Glass Wind Shield Installation
 - g. Heat Deflector Installation
 - h. Faceplate Installation
 - i. Weather Cover Installation

8) Final check.

This includes:

- 1) Clocking the appliance to ensure the correct firing rate (rate noted on label), after burning appliance for 15 minutes.
- 2) If required, adjusting the primary air to ensure that the flame does not carbon. First allow the unit to burn for 15-20 min. to stabilize.

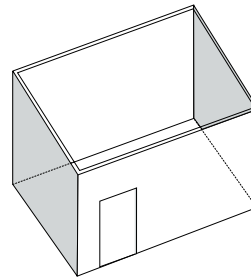
CAUTION: Any alteration to the product that causes sooting or carboning that results in damage is not the responsibility of the manufacturer.

NOTE: In order to function correctly, these types of appliances require at least 50% open access for permanent ventilation/airflow. Open ventilation/airflow space comes from walls and roof/ceiling. Open floor space around the unit must not be considered ventilation/airflow space.

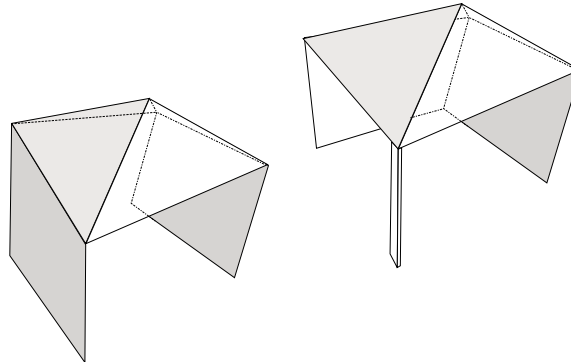
LOCATING YOUR GAS FIREPLACE

- 1) When selecting a location for your fireplace, ensure that the clearances are met.
- 2) This appliance must be installed in an open-air situation with natural ventilation, without stagnant areas, where gas leakage and products of combustion are rapidly dispersed by wind and natural convection.
- 3) Certain materials or items, when placed under or near the appliance, will be subjected to radiant heat and could become damaged.
- 4) Typically an outdoor space is not enclosed but, any enclosure in which the appliance is used shall comply with one of the following:

An enclosure with walls on all sides, but at least one permanent opening at ground level and no overhead cover.



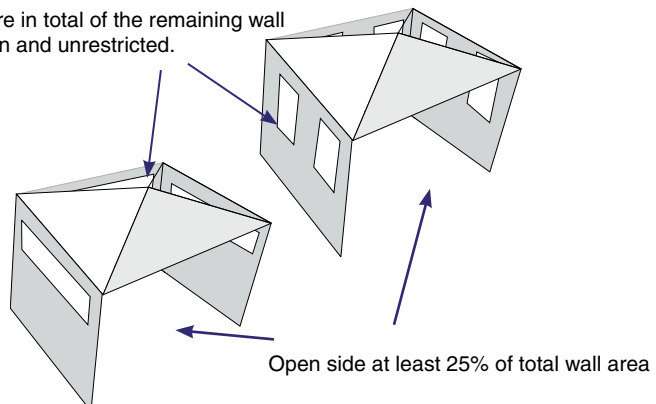
Within a partial enclosure that includes an overhead cover and no more than two walls.



Within a partial enclosure that includes an overhead cover and more than two walls, the following shall apply:

- At least 25% of the total wall area is completely open, and
- At least 30% of the remaining wall area is open and unrestricted

30% or more in total of the remaining wall area is open and unrestricted.



***SEE IMPORTANT INSTALLATION NOTES NEXT PAGE**

IMPORTANT INFORMATION FOR OUTDOOR FIREPLACE INSTALLATIONS

- Never insulate around the body of the unit
- Excessive heat retention in the firebox will lead to component failure and fireplace malfunction
- Excessive heat retention will also increase the risk of fire inside the chase
- Heat retention can cause “Oil-canning” and damage the fireplace due to overheating
- Do not build up a wall of any type in front or to the sides of the appliance, higher than the firebox opening. This will create a pressure zone at the firebox and will prevent the unit from venting
- This is an outdoor appliance with a built-in drain. This drain should be installed and connected in all applications as per the instructions in this manual
- Inadequate drainage will cause rust and reduce the life of your appliance, this is not protected by warranty

COMPONENTS IN OUTDOOR APPLIANCES

- Outdoor units use the same consistent, reliable Electronic components used in most Regency “E” units
- Installed correctly, these components will be subjected to far lower temperatures than indoor units, which have been certified as safe from heat etc
- Working gas pressures are as critical in outdoor products as they are in indoor products, even more important in Electronic systems

COMMON MISCONCEPTIONS REGARDING OUTDOOR FIREPLACES

- There is a common misconception that being outdoors, an Outdoor Fireplace will function, regardless of circumstances,
- Outdoor fireplaces require the same amount of ventilation as indoor units, often more
- Outdoor units require adequate ventilation to the atmosphere, which in turn provides ongoing circulatory combustion air
- This type of Appliance Vents.
- All Outdoor Fireplace Products have the same need for Air/Oxygen, and an ability to Vent
- Even though the appliance is outdoors, this doesn’t mean it is getting adequate air
- Requirements are not specific to Regency units
- Read and follow critical location guidelines in this manual

UNDERSTANDING OUTDOOR APPLIANCE REQUIREMENTS

- Don’t overlook the obvious
- Widen your margin for error
- Combustion always requires the same three elements
- Only the quantities and volumes change



IMPORTANT THINGS TO REMEMBER

- Correct Working Gas pressure is critical on “E” units
- Wherever possible avoid locating on a flat wall in a tight corner
- Floor space doesn’t count as “open area”
- Install to the manual specs for framing and **do not insulate** unit or enclosure
- Framing enclosure must at least meet minimum dimensional specs as per the installation manual
- Only Regency approved media should be used in the firebox (i.e. stones/glass)
- Be aware of pressure zones due to location (i.e. facing the ocean)
- Open walls and doorways to outside air are beneficial to the performance of an outdoor appliance
- Fixed roof/ceiling open areas count towards the total open area overall requirement
- Screens create 40% or more air restriction
- Screened areas are restrictions and reduce open air space, calculate area based on a **closed** screen
- The biggest problems are created by lack of airflow for the appliance
- Outdoor fireplaces are often built-in systems and incorrect installation can result in high repair costs
- Units must not be modified or altered in any way

ANTICIPATED ISSUES CAUSED BY INCORRECT LOCATION OR INSTALLATION

- Unit shutting down intermittently
- Overheating of components leading to failure
- Lifting flame
- Poor flame package (i.e. all to one side, lazy flame)
- Failure to ignite
- Excess carbon
- Safety issues and concerns created from the byproducts of combustion

OUTDOOR APPLIANCES REQUIRE VENTING

- Outdoor appliances must be installed in: open-air situations with natural ventilation and without stagnant areas
- Any gas leakage and products of combustion need to be rapidly dispersed by wind and natural convection
- Typically outdoor spaces are not enclosed, however, failure to adhere to installation guidelines, may cause the outdoor fireplace to be affected by wind or air pressure inside the enclosure
- **ANY** enclosure in which the appliance is used shall comply with one of the diagrams on the previous page.

OUTDOOR APPLIANCE INSTALLATION SUMMARY

- All walls + overhead cover = 100% total area
- One of four walls or full overhead area must be totally open, plus—one of remaining walls must have a fixed opening
- All outdoor fireplaces/fire tables require total **natural** ventilation of 50% open space

MINIMUM CLEARANCES TO COMBUSTIBLES

The clearances listed below are Minimum distances unless otherwise stated:

A major cause of fires is failure to maintain required clearances (air space) to combustible materials. It is of the greatest importance that this fireplace be installed only in accordance with these instructions.

Caution Requirements

The top, back and sides of the fireplace are defined by standoffs. The metal ends of the standoff may **NOT** be recessed into combustible construction.

WARNING

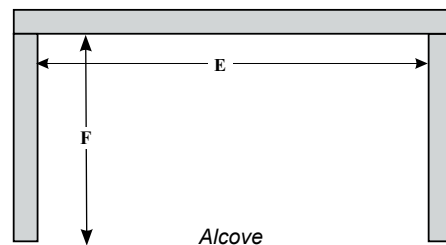
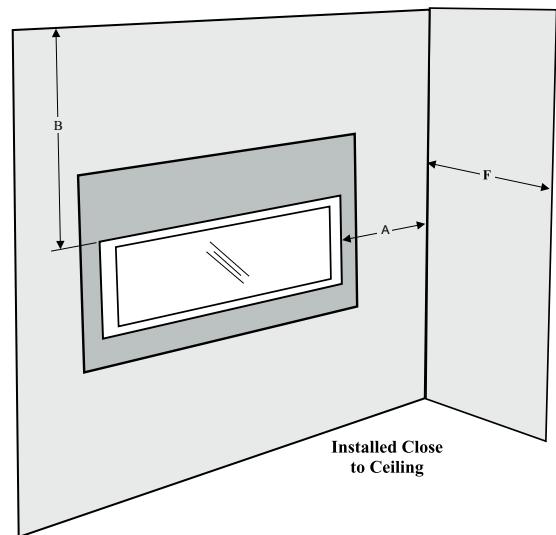
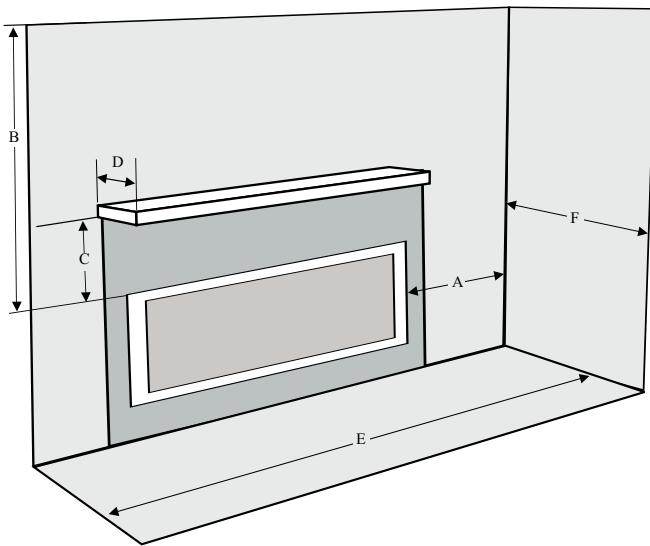
Fire hazard is an extreme risk if these clearances (air space) to combustible materials are not adhered to. It is of greatest importance that this fireplace be installed only in accordance with these instructions.

HZO42 Clearance Requirements

Clearance:	Dimension	Measured From:
A: Sidewall	11" (203mm)	Side of Fireplace Opening
B: Ceiling	36" (914mm)	Top of Fireplace Opening
C: Mantel Height (min.)	18" (457mm)	Top of Fireplace Opening
D: Mantel Depth (max.)	12" (304mm)	From Wall
E: Alcove Width	57"(1148mm)	Wall to Wall (Minimum)
F: Alcove Depth	36" (914mm)	Front to Back Wall (Maximum)
Notes:	0"	No Hearth Required

WARNING:

When installing this appliance; do not cover or surround with insulation. This appliance can overheat and cause malfunction and component failure, if covered, or partially covered. If the appliance is installed inside a chase, insulation must be installed on the walls of the chase, not on the appliance.

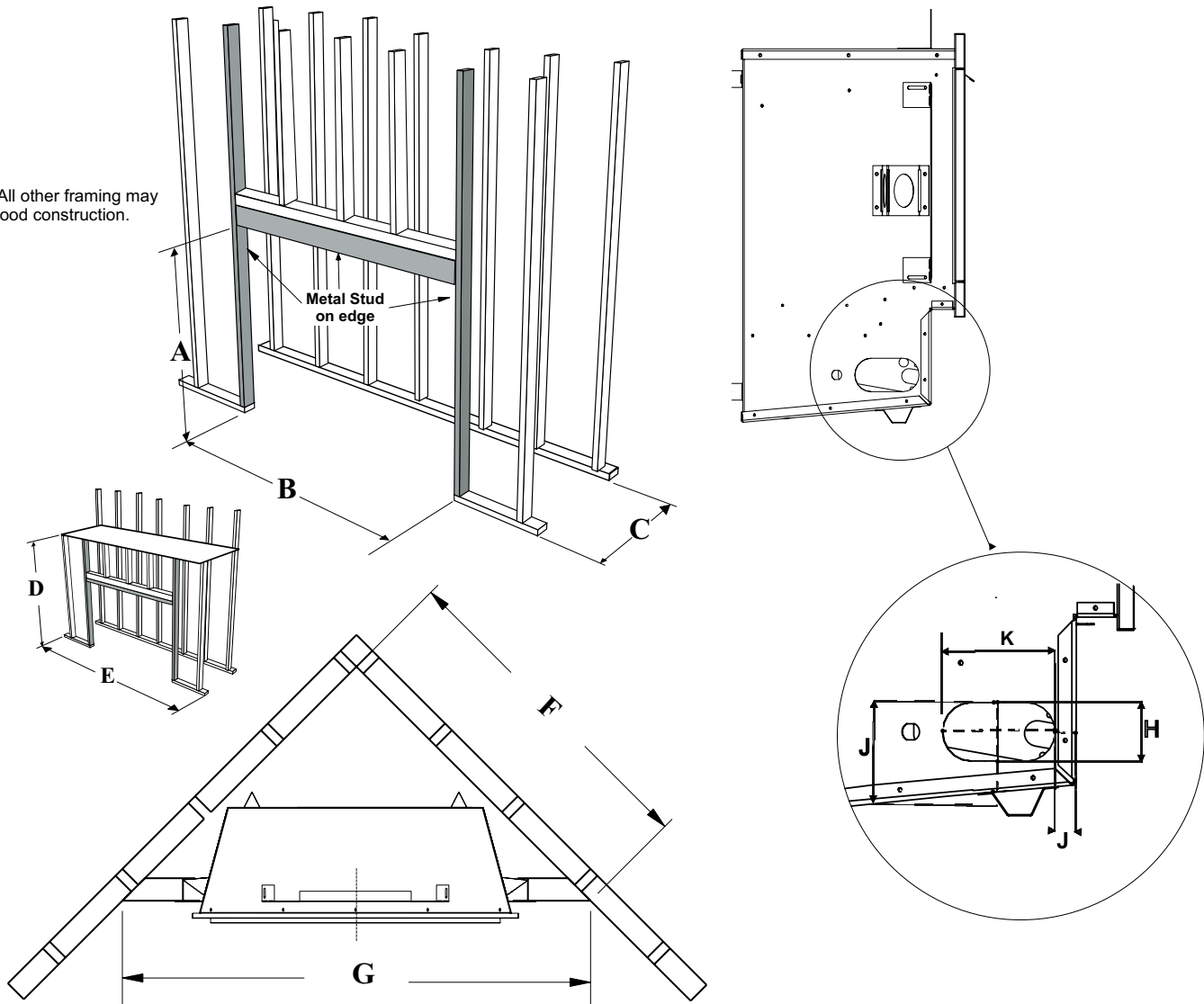


FRAMING DIMENSIONS

Framing Dimensions	Description	HZO42
A	Header Height	32-11/16" (30mm)
B	Side Stud Width	42 - 3/16" (1072mm)
C	Minimum framing depth	20" (508mm)
D	Minimum Height to Combustibles	52 - 1/2" (1334mm)
E	Minimum framing width	60" (1524mm)
F	Corner Wall Depth	40 - 7/16" (1027mm)
G	Corner Facing Wall Width	54 - 3/16" (1376mm)
H	Gas Connection Opening Height	2" (51mm)
I	Gas Connection Height	3-7/8 " (98mm)
J	Gas Connection Inset	3/4" (73mm)
K	Gas Connection Opening Width	3-7/8 " (98mm)

* Framing depth measurement is noted with the nailing strips set as far forward on the firebox as possible. The nailing strips can be adjusted back up to 1" to allow for varying thicknesses in non-combustible material & wall finishes.

Note: All other framing may be of wood construction.

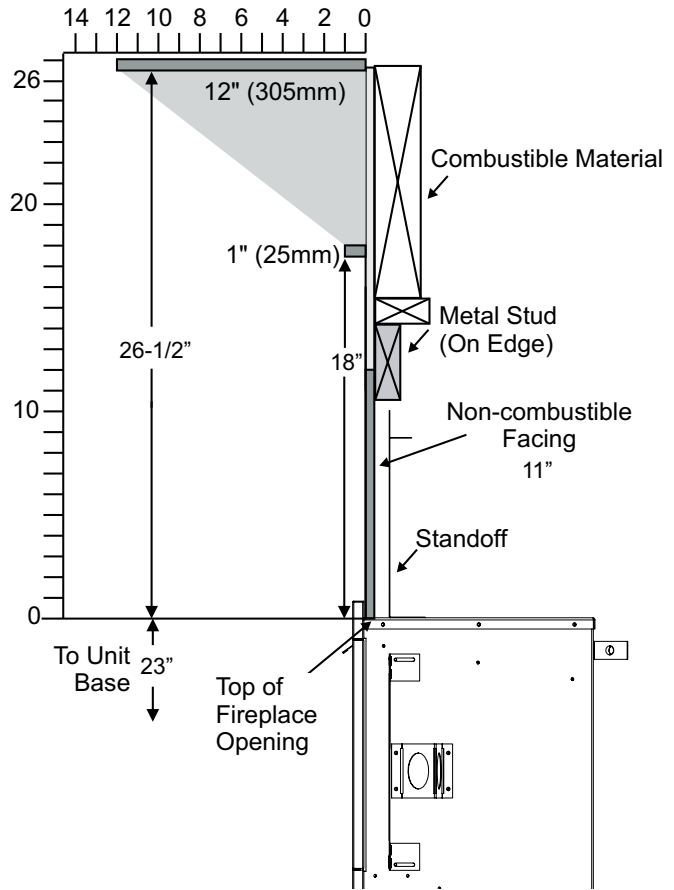


Important Note: Two (2) ventilation grills are highly recommended for all enclosures. This is to alleviate moisture and allow for air to circulate. Minimum recommended size: 20" sq (508 mm²) ea.

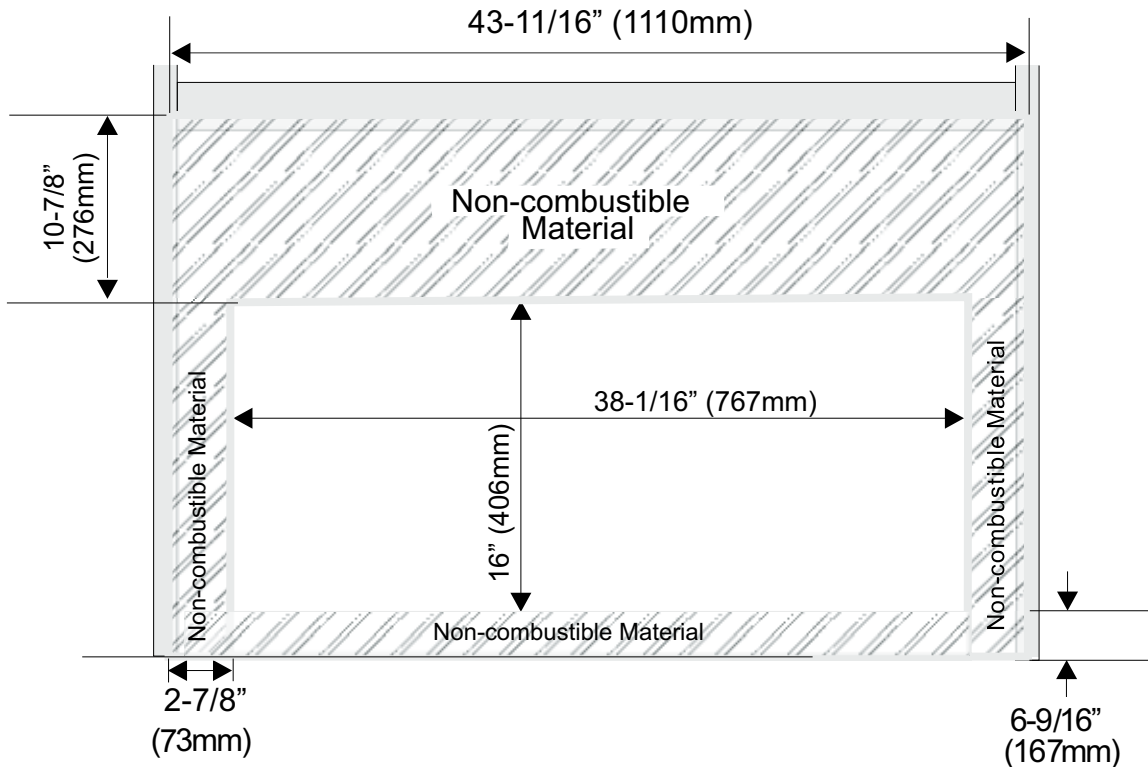
MANTEL CLEARANCES

Due to the extreme heat this fireplace emits, the mantel clearances are critical. Combustible mantel clearances from top of front facing are shown in the diagram on the right.

Note: Ensure the paint that is used on the mantel and the facing is "heat resistant" or the paint may discolour.



NON-COMBUSTIBLE REQUIREMENTS

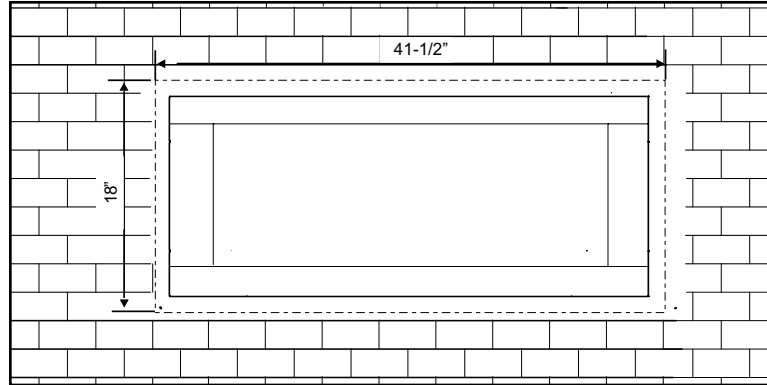


FINISHING

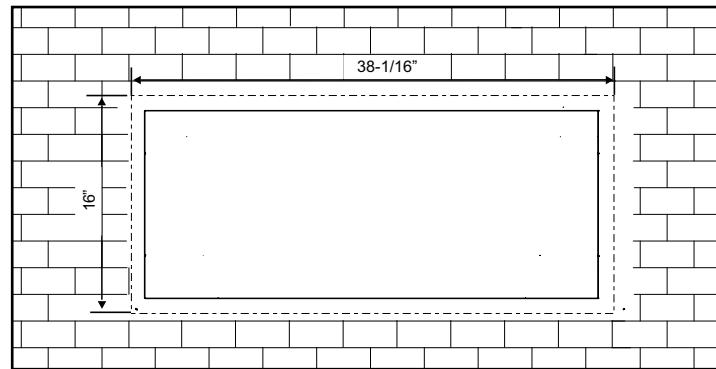
IMPORTANT FINISHING DETAIL NOTE:

Before placing unit into final position - it is important to know the total thickness / height of finished hearth. The base of the fireplace should be level or higher than the finished hearth height.

If material such as brick, stone, etc extends past the faceplate depth (1-1/2"), when finishing around the faceplate, the minimum opening dimensions noted below must be adhered to ensuring the removal of the faceplate and for the safe operation of this appliance.

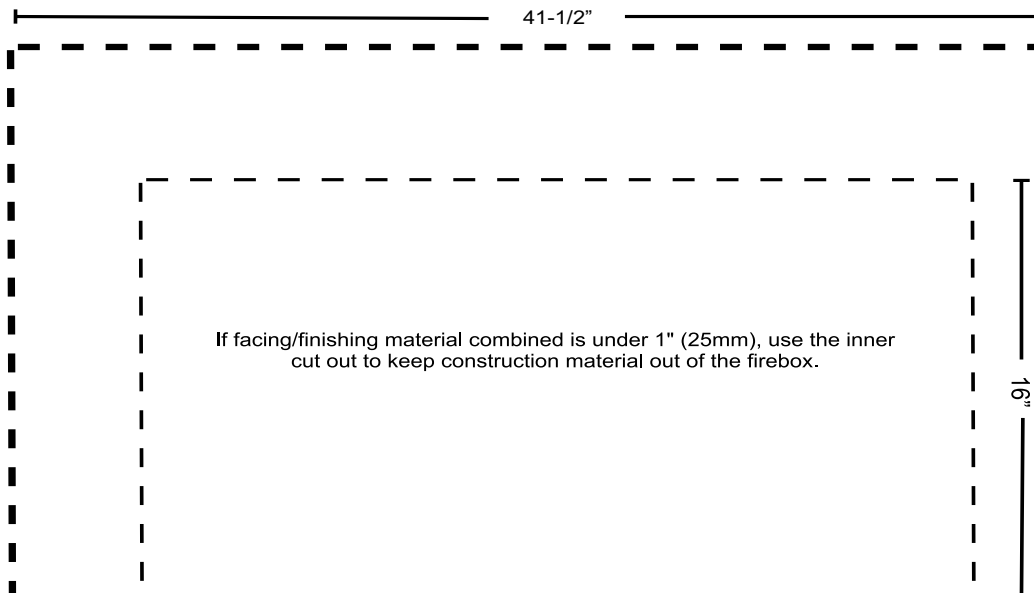


For material such as brick, stone, etc that extend up to 1-1/2", the minimum opening dimensions noted below must be adhered to, when finishing around the faceplate. This is to ensure the removal of the faceplate and for the safe operation of this appliance.



Unit shown without faceplate

faceplate template.



HZO42 SYSTEM DATA

Max. Supply Pressure	14" WC (3.49 kpa)
Min. Supply Pressure	5" WC (1.25 kpa)
Manifold Pressure	3.5" WC (0.87 kpa)
Orifice Size	#29 DMS
Maximum Input	44,500 Btu/h (13.04 kW)

HZO42-LP SYSTEM DATA

Max. Supply Pressure	14" WC (3.49 kpa)
Min. Supply Pressure	11" WC (2.73 kpa)
Manifold Pressure	10" WC (2.49 kpa)
Orifice Size	#47 DMS
Maximum Input	43,500 Btu/h (12.74 kW)

HIGH ELEVATION

This unit is approved for altitude 0 to 4500 ft. (CAN 1 2.17-M91).

GAS LINE INSTALLATION

Since some municipalities have additional local codes it is always best to consult with your local authorities and the CAN/CGA B149 installation code.

For USA installations follow local codes and/or the current National Fuel Gas Code, ANSI Z223.1.

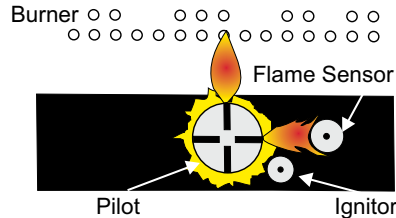
When using copper or flex connectors use only approved fittings. Always provide a union so that gas lines can be easily disconnected for servicing. Flare nuts for copper lines and flex connectors are usually considered to meet this requirement.

NOTE: A shutoff / dante valve should be supplied in or near the unit (or as per local codes) for ease of servicing this appliance.

IMPORTANT: Always check for gas leaks with a soap and water solution or gas leak detector. Do not use open flame for leak testing.

PILOT ADJUSTMENT

Periodically check the pilot flames. Correct flame pattern has two strong blue flames: 1 flowing around the flame sensor and 1 flowing across the burner (it does not have to be touching the burner).



Note: If you have an incorrect flame pattern, contact your Regency® dealer for further instructions.

Incorrect flame pattern will have small, probably yellow flames, not coming into proper contact with the rear burner or flame sensor.

GAS PIPE PRESSURE TESTING

The appliance must be isolated from the gas supply piping system by closing its individual manual shut-off valve during any pressure testing of the gas supply piping system at test pressures equal to or less than 1/2 psig. (3.45 kPa). Disconnect piping from valve at pressures over 1/2 psig.

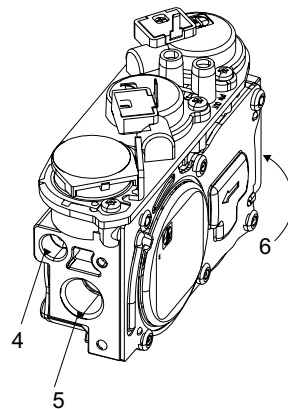
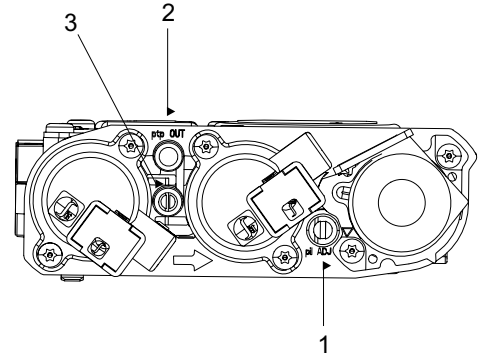
The manifold pressure is controlled by a regulator built into the gas control, and should be checked at the pressure test point.

Note: To properly check gas pressure, both inlet and manifold pressures should be checked using the valve pressure ports on the valve.

- 1) Make sure the valve is in the "OFF" position.
- 2) Loosen the "IN" and/or "OUT" pressure tap(s), turning counterclockwise with a 1/8" wide flat screwdriver.
- 3) Attach manometer to "IN" and/or "OUT" pressure tap(s) using a 5/16" ID hose.
- 4) Light the pilot and turn the valve to "ON" position.
- 5) The pressure check should be carried out with the unit burning and the setting should be within the limits specified on the safety label.
- 6) When finished reading manometer, turn off the gas valve, disconnect the hose and tighten the screw (clockwise) with a 1/8" flat screwdriver.
Note: Screw should be snug, but do not over tighten.

880 S.I.T. VALVE DESCRIPTION

- 1) Pilot adjustment
- 2) Outlet Pressure Tap
- 3) Inlet Pressure Tap
- 4) Pilot Outlet
- 5) Main Gas Outlet
- 6) Main Gas Inlet



AERATION ADJUSTMENT

The burner aeration is factory set but may need adjusting due to either the local gas supply or altitude. Open the air shutter for a blue flame or close for a more yellow flame.

Minimum Air Shutter Opening:

1/8"	NG
1/4"	LP

Note: Any damage due to carboning resulting from improperly setting the aeration controls is NOT covered under warranty.

INSTALLATION

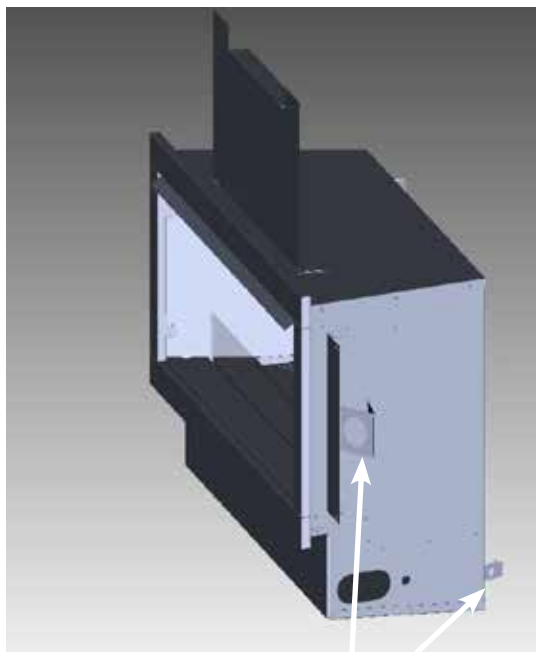
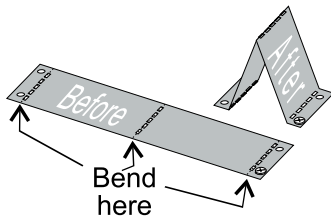
UNIT ASSEMBLY PRIOR TO INSTALLATION

The 6 Standoffs must be correctly positioned and attached before unit is slid into position.

STANDOFF ASSEMBLY

The standoffs are shipped in a flat position and must be folded into shape and attached.

- 1) Remove the standoffs from the fireplace.
- 2) Take each standoff and bend into the correct shape. Bend up at the bend lines until the screw holes in the standoff and the pre-punched screw holes on the fireplace top line up.
- 3) Attach the standoff securely to the unit with 2 screws per standoff (on opposite corners).



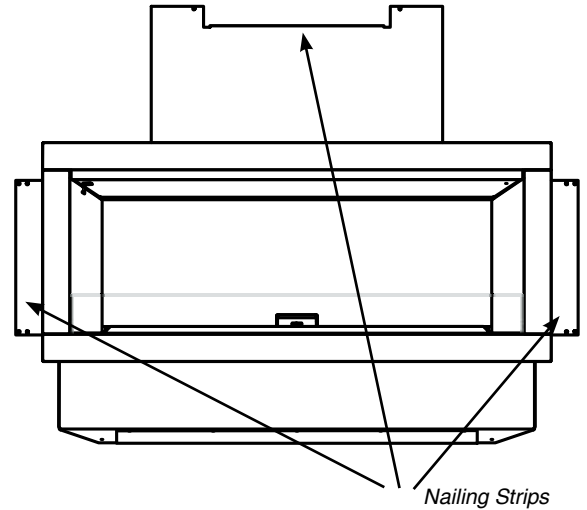
Standoffs installed.

Note:

Depending on the material used for finishing, the nailing strips must be set accordingly so that the finished material is always at the 1-1/2" edge of the flange.

NAILING STRIPS

The nailing strips come attached to the unit. There is 1 plate on each side and 1 on the top that can be folded out as required. Secure the top and side nailing strips to the framing.



Finished Material	Nailing Strip Position	
1/2"	1"	<p>Nailing Strip 1" Forward</p> <p>Unit</p>
1"	1/2"	<p>Nailing Strip 1/2" Forward</p> <p>Unit</p>
1-1/2"	0" (flush)	<p>Nailing Strip Flush w/unit Factory Set</p> <p>Unit</p>

DRAIN INSTALLATION (RECOMMENDED)

Although this fireplace is designed to operate outdoors safely, rain and other sources of moisture may enter the hearth area, which will cause water to collect inside the base of the unit.

To prevent excessive water collection, the installer must provide a way to drain the water from the base of the unit by building or installing a water collector before positioning the fireplace in its location.

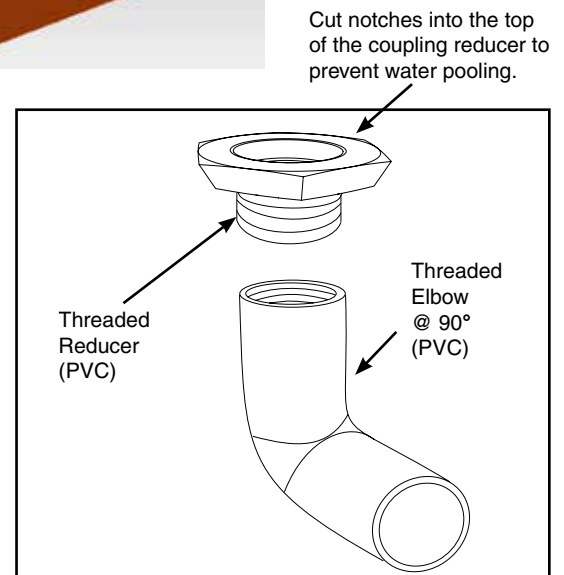
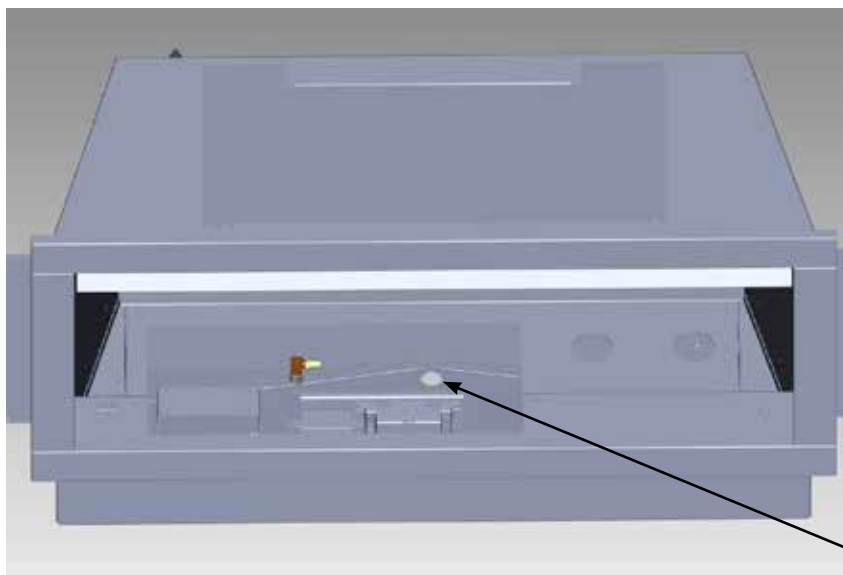
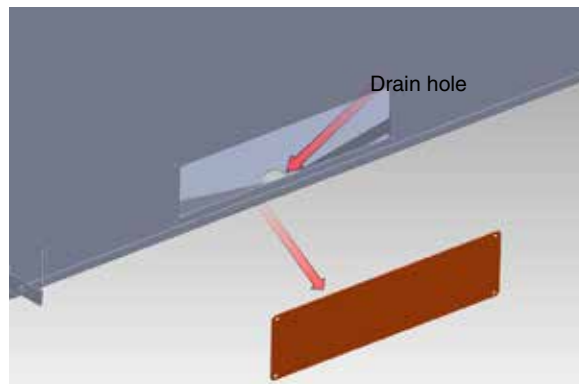
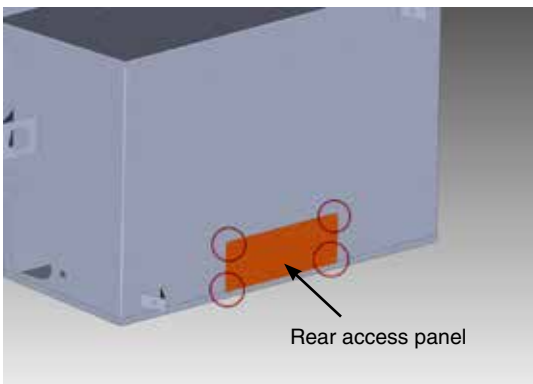
INSTALLATION INSTRUCTIONS

When planning for the installation of the unit, the framing height must be increased by 3/4", when installing a drain pan. Additional space below the unit will also be required to plumb a drain line.

- 1) Remove 4 screws to remove the rear access panel from the back of the unit - this will allow access to the drain hole at the base of the unit.
- 2) On the exposed drain hole (see location below), install a PVC 3/4" threaded coupling reducer going from the top of the pan, down through the hole. Apply a silicone-based sealant around the base and threads before installation.
- 3) Holding the reducer coupling with a wrench, thread a 90° PVC elbow (from the underside of the unit) to the reducer until it is tight to the metal.

Note: To assure proper drainage, that fireplace must be installed on a leveled surface

- 4) Add additional piping to route the drain to an appropriate location.



Reducer and elbow can be purchased from your local hardware store.

Drain hole location at base of the unit

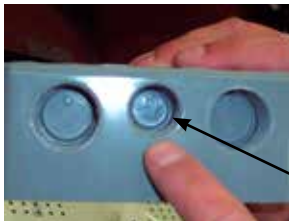
WALL SWITCH AND BATTERY INSTALLATION (INCLUDED WITH UNIT)

The unit comes with low voltage wire and a battery extension wire installed.

- 1) Run supplied wire to desired location - to a max. of 9 feet.
- 2) Install supplied electrical box in desired location.



- 3) Remove center knock out from electrical box and install strain relief (strain relief nut not required).



Center knock out



Strain Relief

- 4) Route low voltage wire and battery extension wire through the strain relief.
- 5) Connect low voltage wire to supplied switch, fasten switch to right side of electrical box (polarity not important).



- 6) Install supplied 4-AA batteries into the battery holder. Using velcro install battery holder to the backside of the battery compartment door. Connect battery terminal.
- 7) Using silicone, completely seal strain relief to protect from water or moisture.



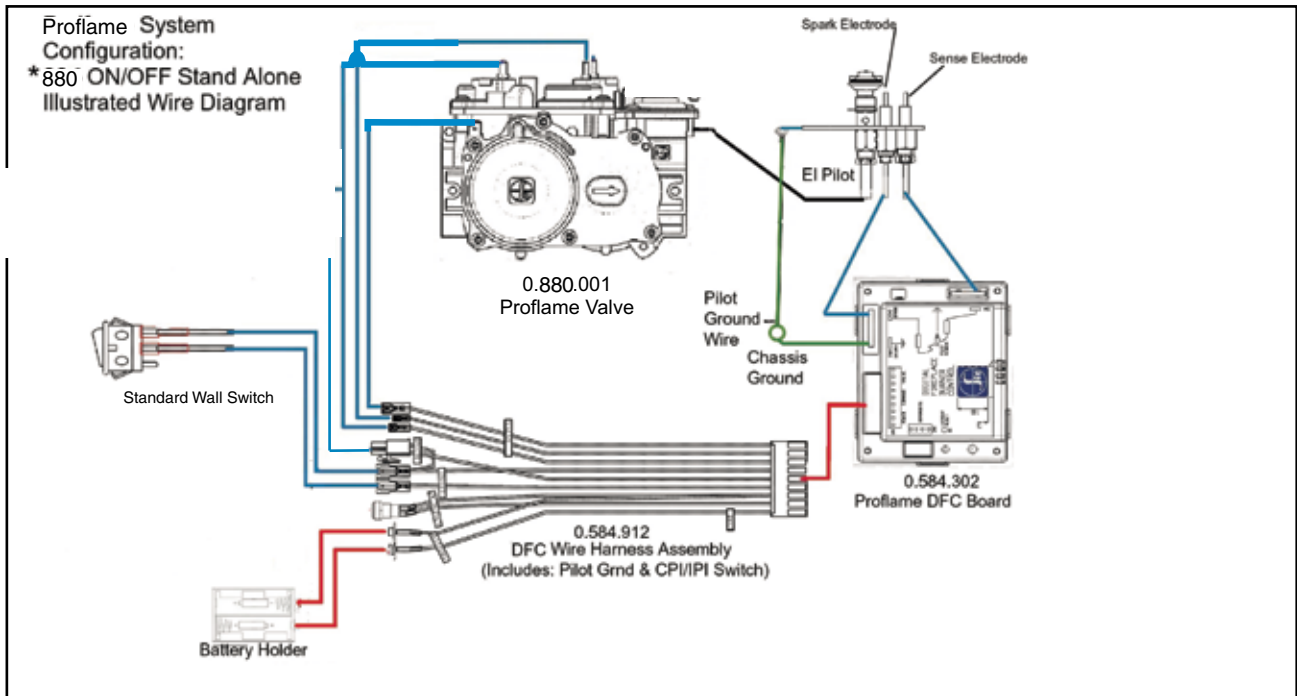
- 8) Place supplied gasket on top of electrical box.
- 9) Fasten cover to electrical box using supplied screws.
- 10) Place switch in OFF position until final installation is complete.



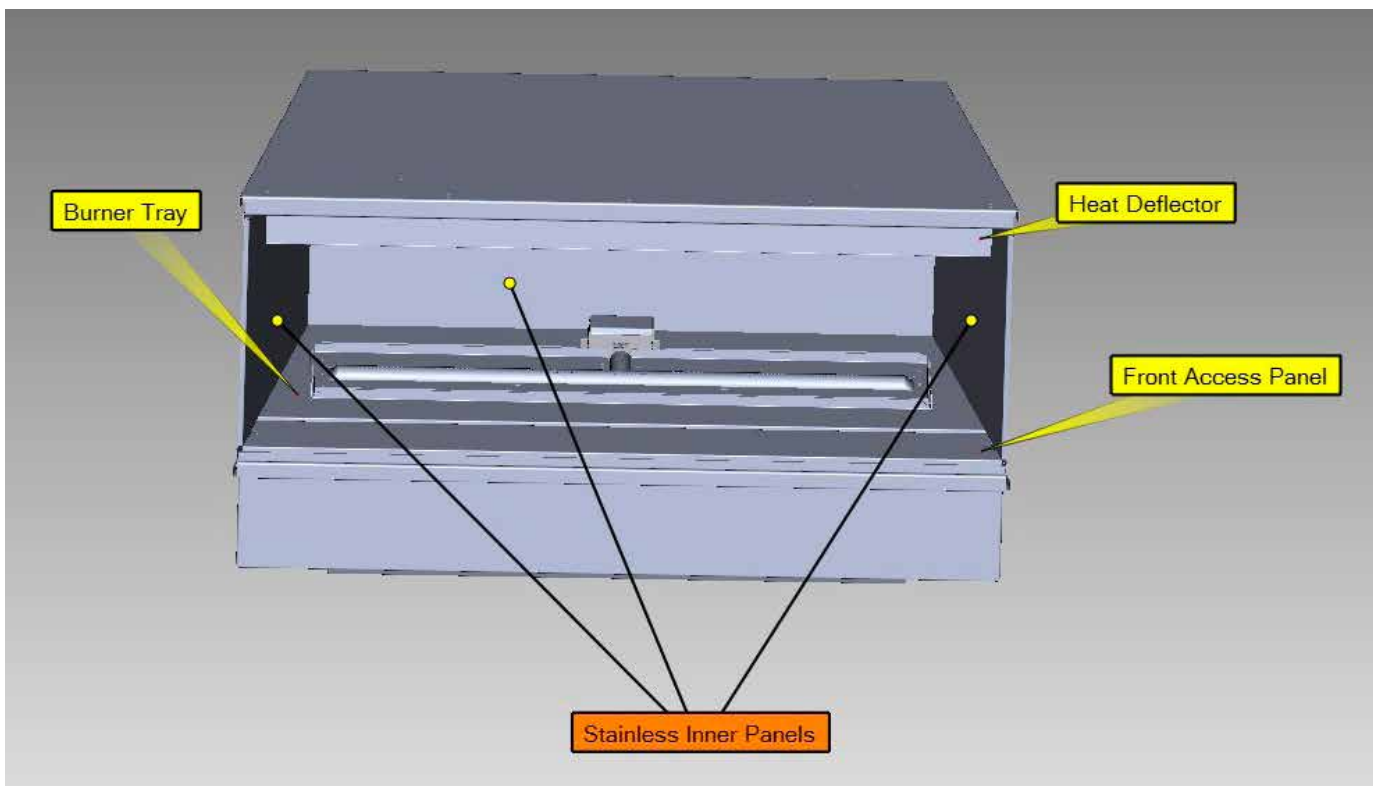
WIRING DIAGRAM

This heater does not require a 120V A.C. supply for operation. (Do not cut the ground terminal off under any circumstances.)

NOTE: 4 AA batteries must be installed in the battery pack to operate the burner switch.



Remove the protective coating from the following components before proceeding. Carefully follow stainless handling instructions on following page.



INNER PANEL INSTALLATION

Before installation, panels must be handled and cleaned as per instructions noted below:

Stainless Steel Panels

- Stainless panels must be inspected for scratches and dimples prior to installation. All claims to be recorded at this time. Claims for damage after installation will not receive consideration.
- **To protect the finish during installation and handling** - cotton gloves **MUST** be worn at all times while handling the panels (even when removing protective coating).
- Use a hair dryer or similar device to remove the protective coating from the panels.
- Stainless panels will discolor a little during normal operation. This is normal and should not be considered a defect.
- *** All hand and finger marks MUST be cleaned off with a soft cloth and a stainless steel cleaner. Most stainless steel cleaners leave a film/residue on the surface of the panels. Use an ammonia based cleaner (ie. glass cleaner) to remove this film before applying heat to the unit. Failure to do this will result in burn stains on panels which you will be unable to remove. Not protected by product warranty.**

- 1) Install the back panel first - to maneuver the panel into position - tilt the top of the panel forward and position the bottom of the panel in first. Use care - do not scratch the panel when clearing the pilot hood.



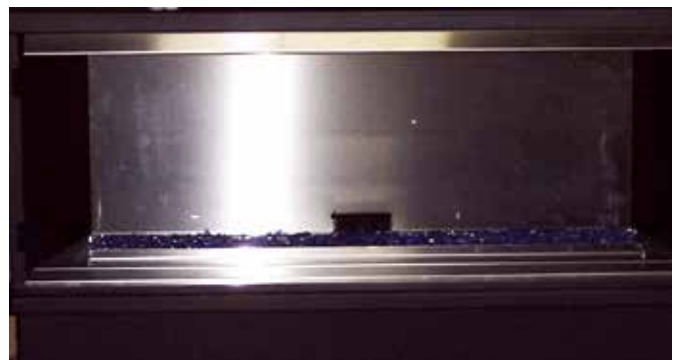
- 2) Install a side panel next (not important which side goes in first). Position the panel with the bend in the panel facing towards the outside or wall of the unit. Position side panel and secure with a clip and one screw.



- 3) Install other side panel next. Position side panel and secure with a clip and one screw.



- 4) Final install - shown below.



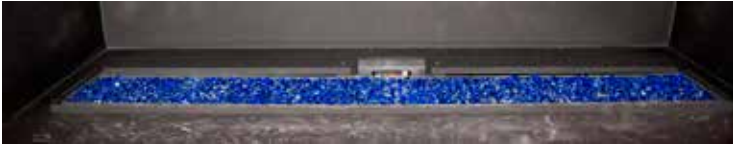
GLASS CRYSTAL INSTALLATION

Spread the Glass Crystals or Stones evenly over the burner. Ensure the crystals/stones do not overlap excessively as this will affect the flame pattern.

IMPORTANT NOTE:

Only the approved Glass Crystals and Stones are to be used with these fireplaces. Use of any other type of glass crystals or stones can alter the unit's performance, any damage caused by the use of any unapproved glass or stones will not be covered under warranty. When using Ceramic Spa/Volcanic Stones **DO NOT** cover burner ports or pilot light that lead to pilot flame.

BURNER PACKAGES		
Unit	*Glass Crystals	Stones - Spa / Ceramic / Volcanic
HZO42	3 lbs	3 lb Glass + 35 Volcanic stones
NOTE: * Glass Crystals are not supplied with the unit. Must purchase separately - see quantities above. Glass Crystals are available in 1lb and 5lb bags.		



There are 2 optional packages to choose from to cover the firebox base:

- 1) Natural River Pebbles
- 2) Glass Crystals (4 colors available)

Spread the pebbles / crystals evenly on the exposed base of the firebox. Pebbles are **NOT** to be placed anywhere on the burner or over top of the Glass Crystals or optional Stones.

IMPORTANT NOTE: Only the supplied and approved pebbles / glass crystals are to be used with these fireplaces. Use of any other type of pebbles, glass crystals or other material can create a danger and will void the warranty.

Firebox (Around Burner) Packages		
Unit	Glass Crystals	Pebbles
HZO42	3 lbs	1 package (3 x bags pebbles)

VOLCANIC STONE INSTALLATION

Evenly spread the glass crystals and volcanic stones over the burner. Ensure the stones do not overlap too much as this will effect the flame pattern.

IMPORTANT NOTE:

Only the supplied approved Volcanic Stones are to be used with these fireplaces. Use of any other type of stones can alter the unit's performance, any damage caused by the use of any unapproved glass or stones will not be covered under warranty.

When using Volcanic Stones DO NOT cover burner ports or pilot light that lead to pilot flame. Ensure the stones do not overlap excessively as this will effect the flame pattern.

OUTDOOR VOLCANIC STONE BURNER PACKAGES			
Unit	Volcanic Stones Ivory/Tan	Volcanic Stones Slate/Grey	White Garden Stones
HZO42/HZO42 (AUS)	35 stones w/3lbs glass	35 volcanic stones w/3lbs glass	50 garden stones w/3lbs glass (AUS Only)
PTO30*/Plateau Series	50 stones w/5lbs glass	50 volcanic stones w/5lbs glass	
PTO60	100 stones w/10lbs glass	100 stones w/10lbs glass	
NOTE: * Basalt Volcanic stones are measured by weight not quantity. Each bag contains 15lbs of stones, however the exact quantity and size will vary. Size varies between 2" - 3".			



*Volcanic Stones + Glass Crystals
For the PTO30, PTO60
& Plateau Series only*



*Volcanic Stones Ivory /Tan + Glass Crystals
For the HZO42 & HZO42AUS
only*



*Volcanic Stones Slate /Grey + Glass Crystals
For the HZO42 & HZO42AUS
only*

OPTIONAL LOG SET INSTALLATION

Installation of Reflective Panels must be completed before installing the log set.

Read the instructions below carefully and refer to the images. If the logs are broken do not use the unit until they are replaced. Broken logs can interfere with pilot operation. Install 3lbs of glass crystal on the burner (follow glass crystal instruction sheet) before installing logs.

Improper positioning of the logs may create carbon build-up and can alter the unit's performance which is not covered under warranty.

Log kit # 326-930 contains the following pieces:

Part #	Description
A x 1	Log
B x 1	Log
C x 1	Log
D x 1	Log
E x 1	Log

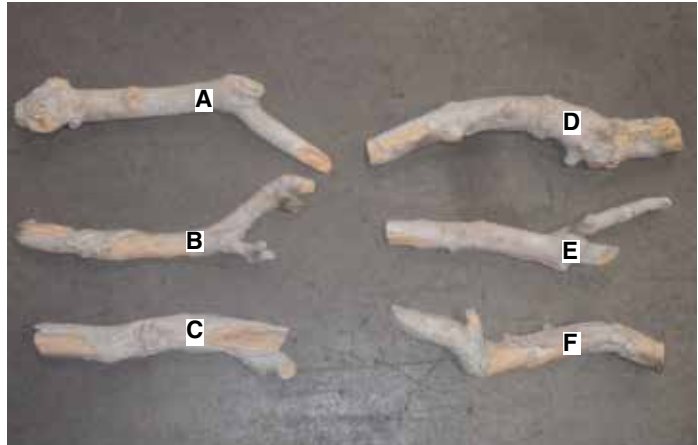


Diagram 1

- 1) Install logs A and C on the burner as shown below. Orient the logs in the same way and in a similar location on the left side of the burner as depicted in Diagram 2.



Diagram 2

- 2) Install log B on the burner as shown below. Orient log B across log A in the same way and in a similar position as depicted in Diagram 3.

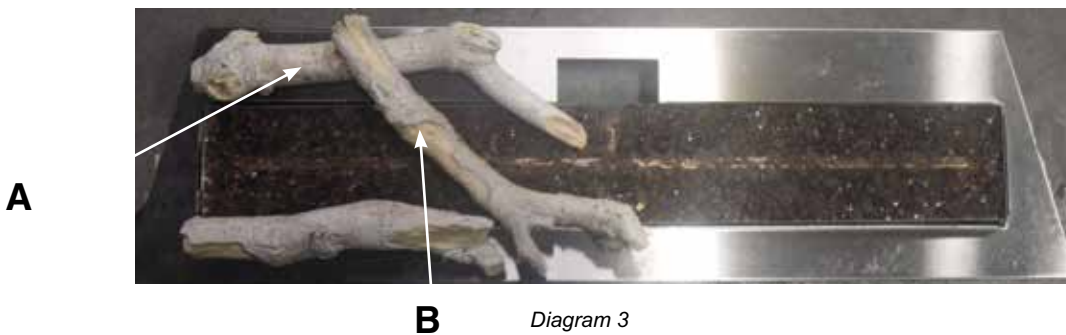


Diagram 3

- 3) Install log E on the right side of the burner as shown below. Orient log E in the same way and in a similar position as depicted in Diagram 4.



Diagram 4

INSTALLATION

- 4) Install log D on the burner as shown below. Orient log D across log E in the same way and in a similar position as depicted in Diagram 5- log D will rest up against the back panel.



Diagram 5

- 5) Install log F on the right side of the burner as shown below. Orient log F in the same way and in a similar position as depicted in Diagram 6.



Diagram 6

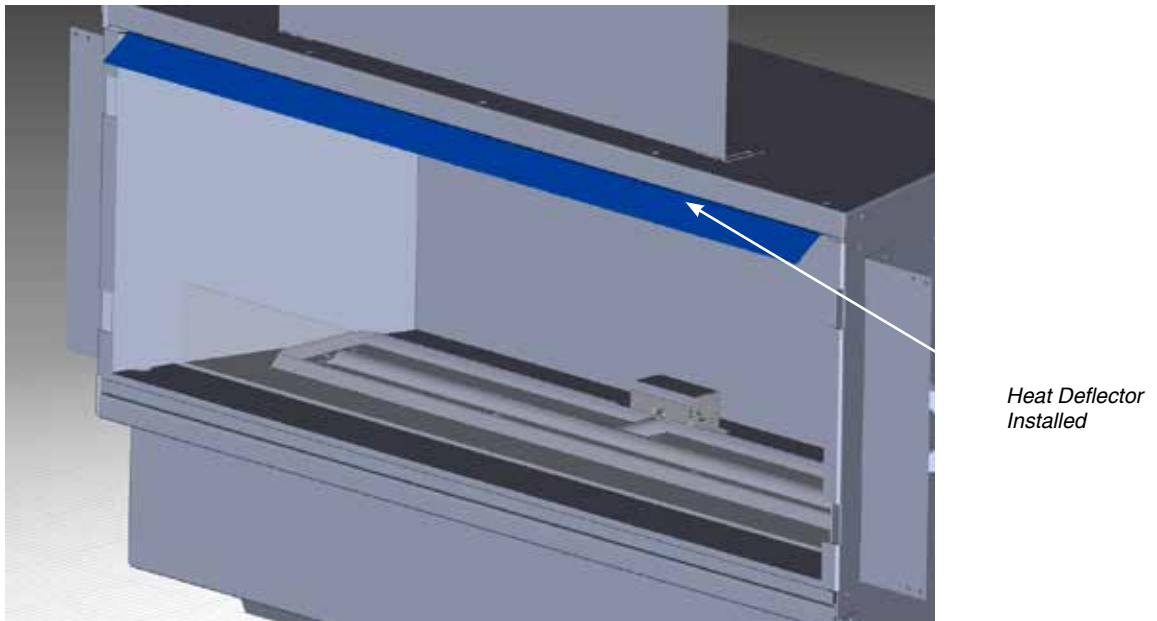
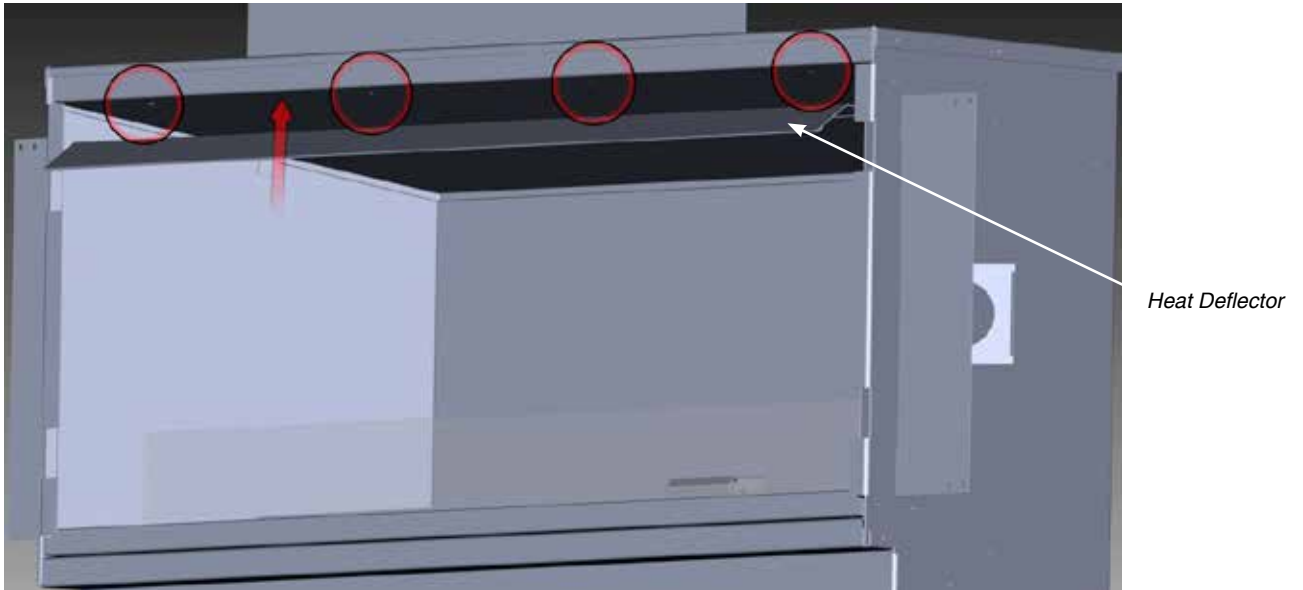
F



Final Install

HEAT DEFLECTOR INSTALLATION

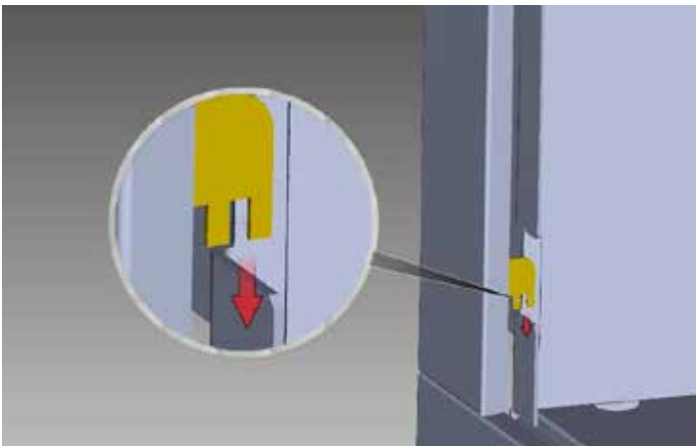
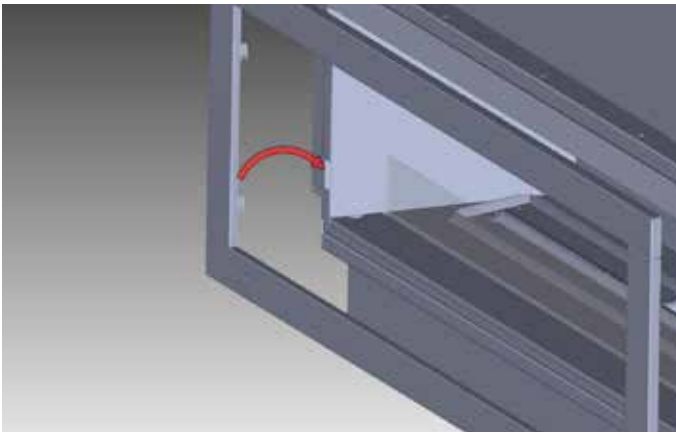
- 1) Install the heat deflector to the top inside of the firebox with 4 screws as shown below.



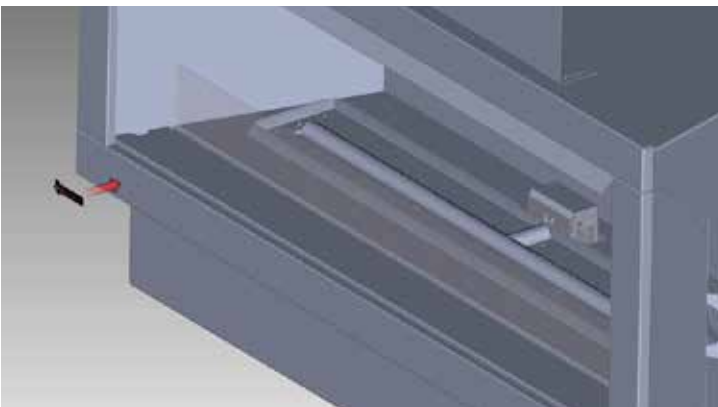
FACEPLATE INSTALLATION

Remove the protective coating from the faceplate before installation - see handling instructions in panel install section.

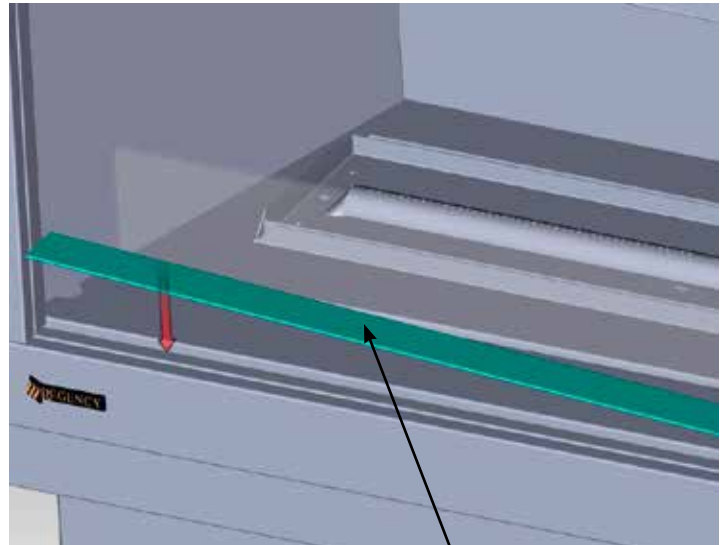
- 1) To install the faceplate - line up the tabs on the faceplate with the 'C' shaped openings on the left and right sides of the unit. There are 3 slots on each tab so the faceplate to accommodate different finishing materials.



- 2) Install logo onto faceplate.

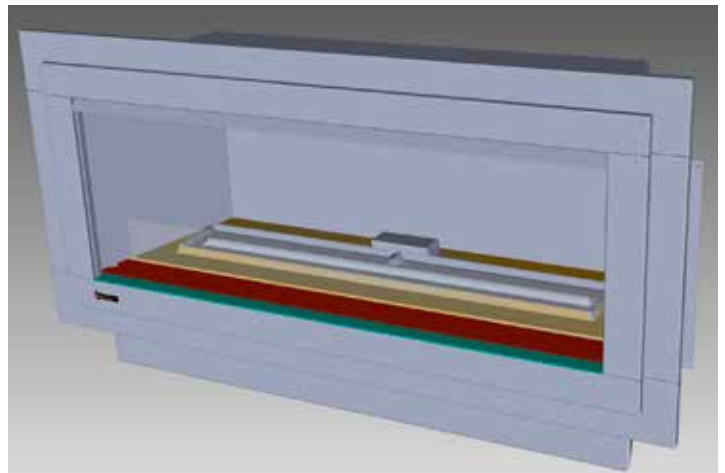


- 3) For installations where thicker finishing material is used - the optional trim piece may be installed to fill the gap. Install the trim between the bottom access panel and the faceplate as shown below.



Trim Piece

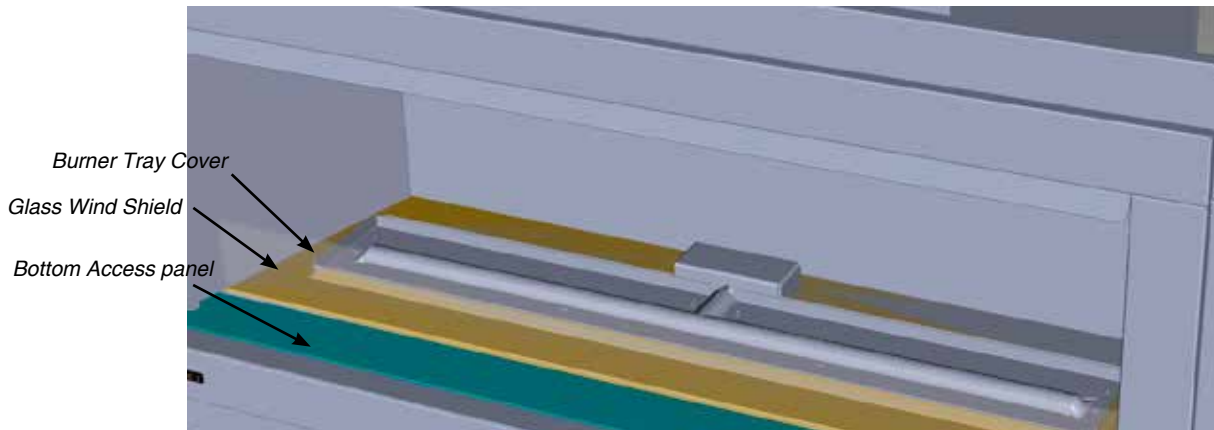
- 4) To remove - reverse steps.



Final Install

GLASS WIND SHIELD INSTALLATION

- 1) To install the glass wind shield - slot it into the space between the burner tray cover and the bottom access panel.



WEATHER COVER INSTALLATION / REMOVAL

- 1) The unit should be covered when not in use for extended periods of time. The soft fabric cover is made of weather resistant material - to protect the unit from the elements. Starting from one corner - slide the cover over the corner, then stretch the cover until it is fitted over all four corners.



CAUTION:
 Never start the unit with the cover on.
 Let the unit cool before installing the cover.
 Turn off gas supply to unit before installing cover.



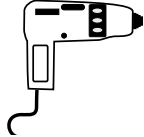
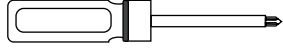


Weather Cover Installed

INSTALLATION

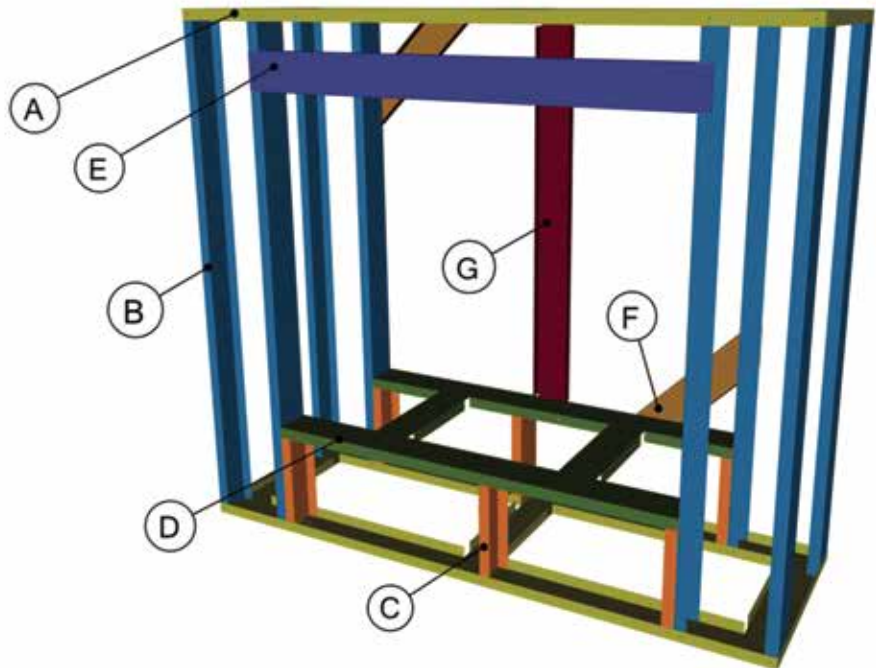
ASSEMBLY INSTRUCTIONS FOR A STEEL STUD FRAMING KIT FOR HZO42

Follow these instructions to construct a steel stud frame for the Outdoor fireplace;
Overall dimensions = 60" W x 20" D x 52-1/2" H.

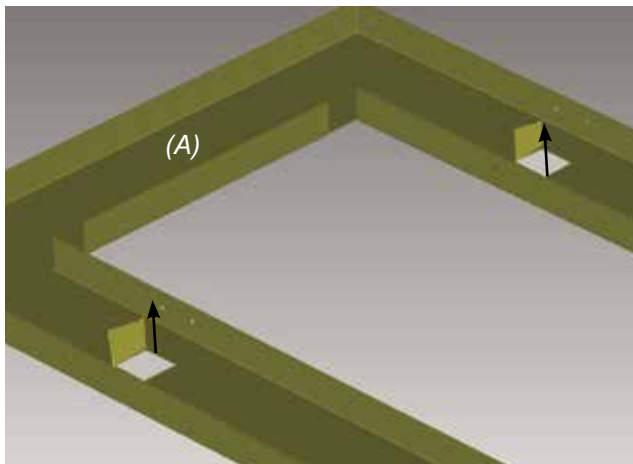
**Non-combustible finishing board not supplied with kit. Board may be purchased at your local hardware/building supply store.

Tools Required	
1 power drill + #2 phillips bit	
1 hand #2 screwdriver (Phillips)	
1 level	
1 tape measure	

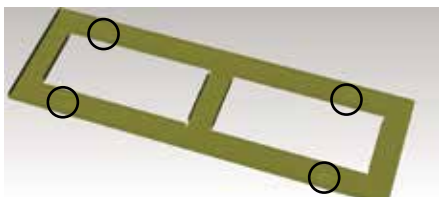
326-900 CONTENTS:	
Top / Bottom	(A) x 2
Vertical Supports - Tall	(B) x 8
Vertical Supports - Short	(C) x 6
Base	(D) x 1
Header	(E) x 1
Corner Brace	(F) x 2
Vertical Support	(G) x 1
Wafer Screws	80



- 1) Place top/bottom (A) on the ground - flat side down. Bend the tabs up to a 90° angle.

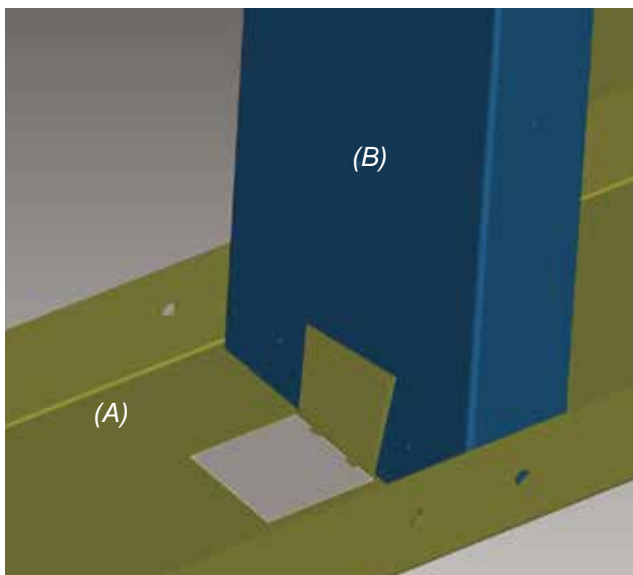


Bend tabs inward to 90° angle.



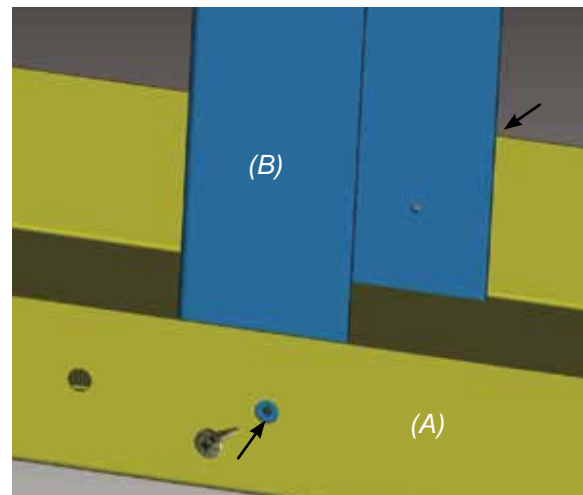
(A)
Tab locations

- 2) Position 4 of the (B) pieces with the flat side of (B) contacting the tab as shown below.

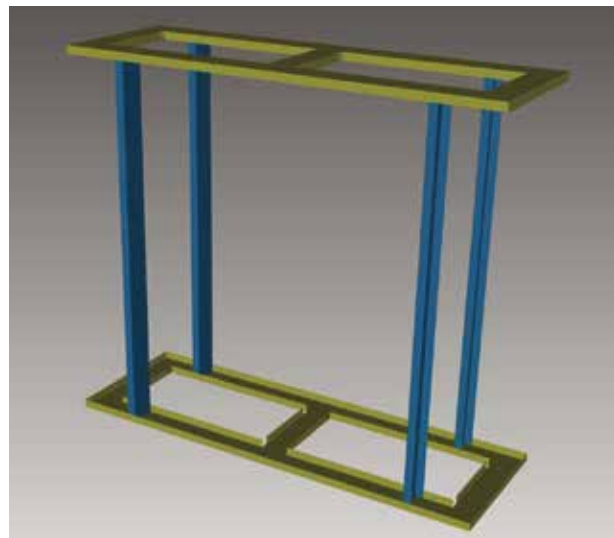


Part B positioned flat side flush with A tab.

- 3) Line up the screw holes of (A) with (B). Secure each (B) with 2 wafer screws (one on each side) as shown below.



- 4) With all 4 - (B) pieces secured to the bottom with 2 screws (1 on each side) (A) can be placed into position, as shown below. Ensure all tabs on the (A) are bent to 90° and oriented to each (B) as shown in step 2.



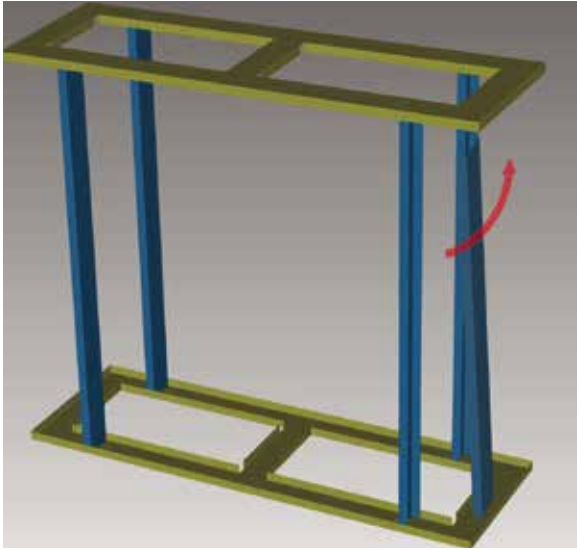
- 5) Line up top (A) screw holes with (B) screw holes and secure with (B) to (A) with 2 wafer screws (1 on each side - 8 in total).

Note: Securing inner (B) pieces to top (A) will add rigidity, making it easier to lineup and install outer (B) pieces.

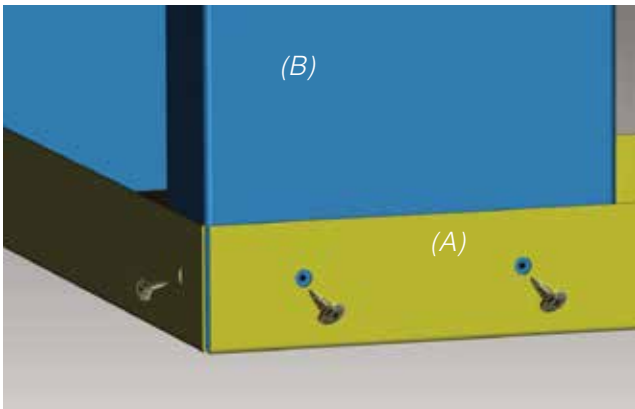
Important: (B) - (tall vertical supports) must be positioned as shown to ensure the correct installation of (C).

INSTALLATION

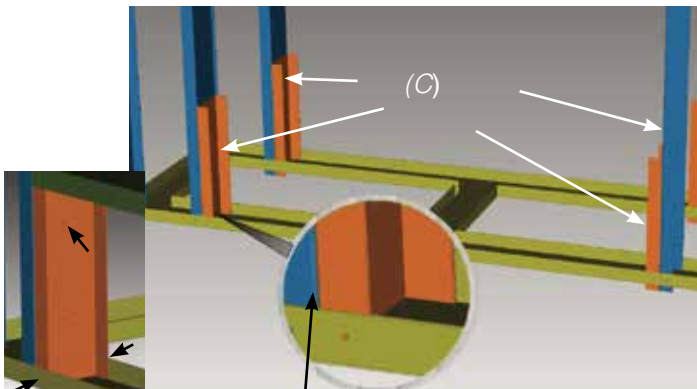
6) Manoeuvre remaining (B) pieces and position in each corner of the frame - flat side facing out - see 2 diagrams below.



7) Line up screw holes on top / bottom (A) with each (B)- secure with 3 wafer screws each on top and bottom - 6 screws in total for each outer (B) (3 top- 3 bottom).



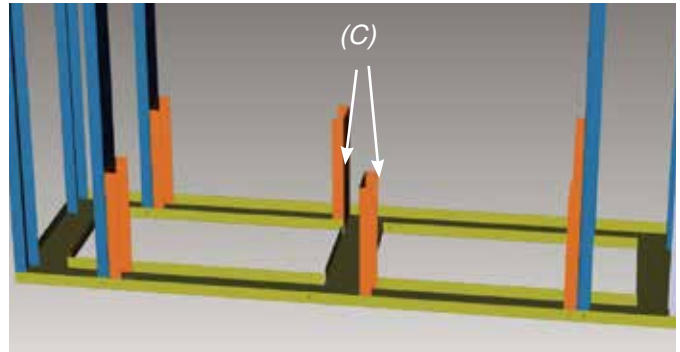
8) Position 4 - (C) pieces with the flat side back to back with the flat side of each inner Part B as shown below. Secure each (C) to bottom (A) with 3 wafer screws (one on each side and one at top as shown below).



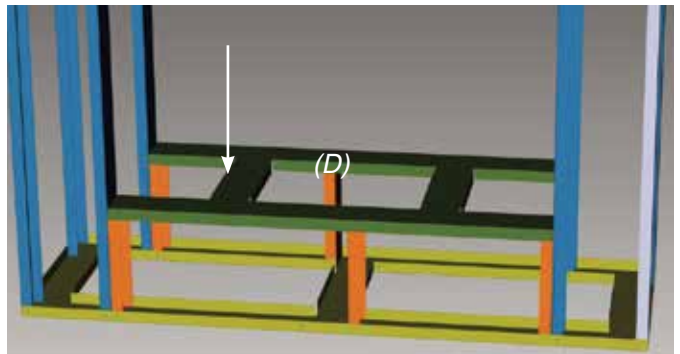
(C) Screw locations

(B)+ (C) - flat sides back to back

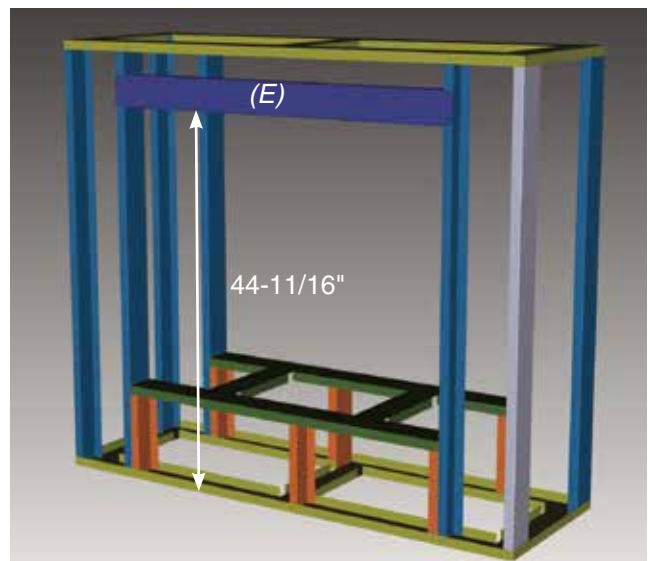
9) Position remaining 2 - (C) pieces offset from center rib as shown below.



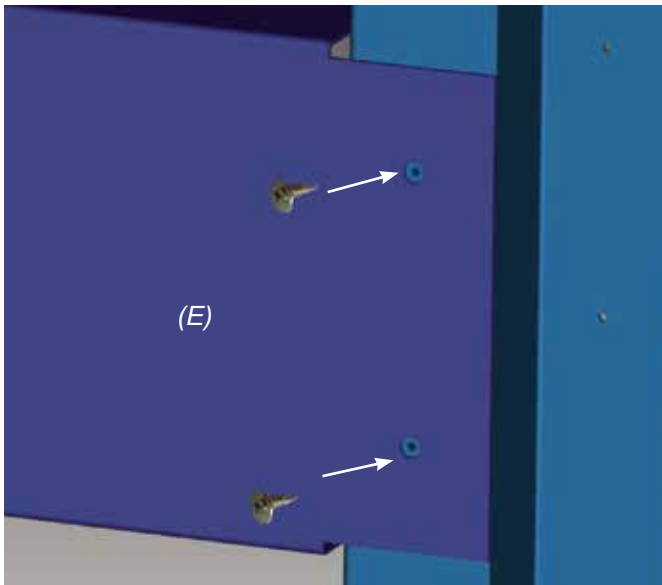
10) Position (D) on top of (C) pieces - line up screw holes and secure (D) to (C) with 12 wafer screws.



11) Measure 44-11/16" from floor (bottom of the header location) line up (E) (header) with appropriate screw holes.

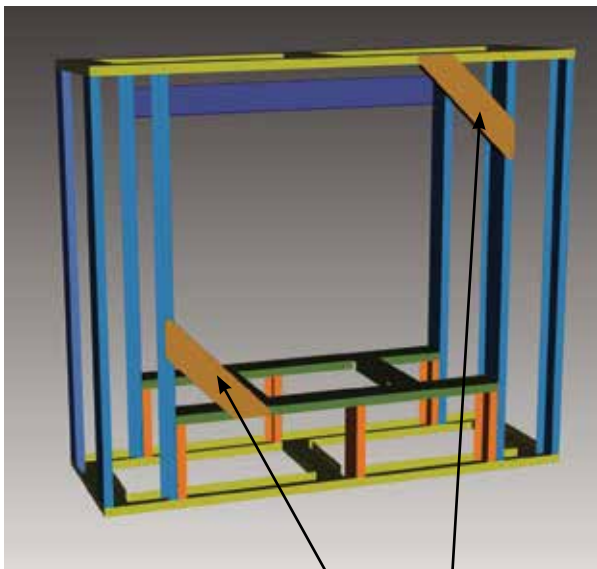


12) Line up screw holes on (E) (header) and (B) (inner vertical support). Secure with 2 wafer screws on each side (4 total) as shown below. This will now be the front of the frame.



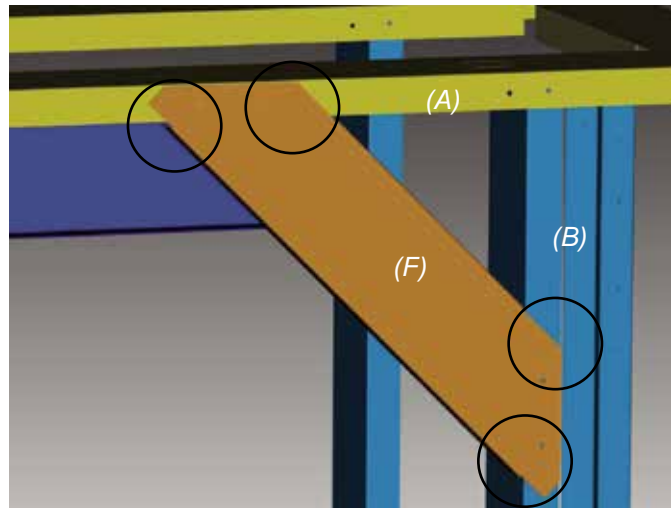
13) On the back side of the frame. Install both (F) pieces (corner brace) on opposite corners.

Important: (F) parts must be installed opposite from one another for rigidity as shown below.

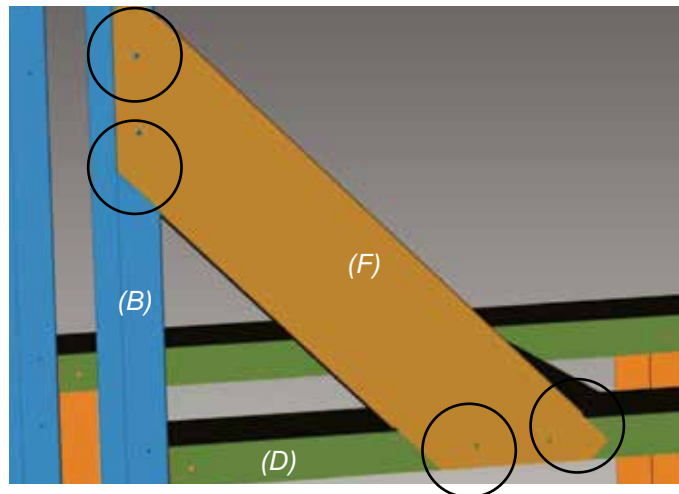


(F) corner brackets positioned in opposite corners

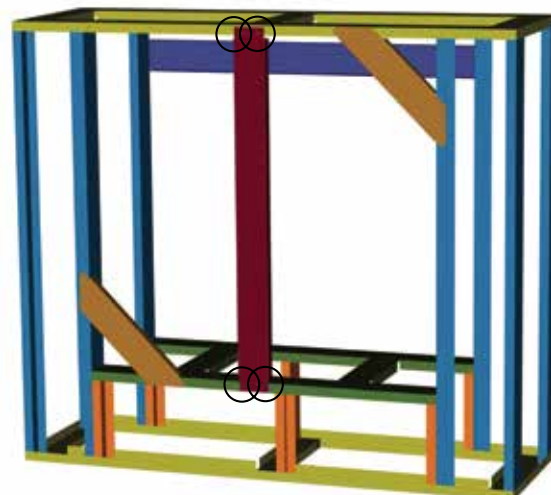
14) Line screw holes on 1 (F) (corner brace) with (B) + (A) and secure with 4 wafer screws. as shown below.



15) Repeat step 14 for opposite corner as shown below.



16) Install vertical back support to back of assembly with 2 screws at top and bottom in locations shown below.



Note: Confirm assembly is level and square before proceeding with further materials.

REMOTE PROPANE / LP GAS ENCLOSURES INSTALLATION GUIDELINES

If the unit is permanently connected to a gas piping system from a remote supply tank, installation must be in accordance with local codes or, in absence of local codes, with the *National fuel Gas codes ANSI Z223/1.NFPA 54*.

If constructing an enclosure to conceal the propane / LP cylinder- the enclosure **must adhere** to the following construction requirements:

Enclosures may be constructed with one side completely open **OR** if the enclosure is built with four (4) sides, a top and a bottom:

- A Propane / LP gas cylinder enclosure requires four (4) ventilation openings at the top and bottom of the enclosure. The openings must adhere to the minimum requirements according to the capacity of the cylinder (see Diagram 1).
- Each opening in the enclosure must be equally sized and spaced at a minimum of 180°. Openings must remain unobstructed.
- Top ventilation openings are required on the side walls of the enclosure within 5" (127mm) of the top of the enclosure. They need to be of equal size, unobstructed and spaced 180° apart. The openings need to be a total area of 1 in² /lb (14.2 cm²/kg) of fuel storage capacity.

- Bottom opening must provide a minimum of 1/2 square inches (3.23 cm²) for each pound of propane/LP contained in the tank (see example below).
- Every opening must have minimum dimensions to allow entrance of a 1/8" (3.2mm) diameter rod.
- Ventilation openings in side walls must not communicate directly with other enclosures of the appliance.
- The cylinder valve must be easily accessible by hand. Connections should be easy to leak test inside the enclosure. A door on the enclosure is acceptable only if easily opened without the use of tools and is non locking.
- The enclosure needs to isolate the cylinder from the burner compartment and provide protection from radiation, act as a flame barrier and protect the cylinder from foreign material.
- The enclosure needs to allow connection, disconnection and inspection of the connection of the LP - gas cylinder.
- The enclosure should allow testing of any connection on the LP cylinder that might be disturbed during installation.

Propane / LP Tank Enclosure Specifications	
A	Opening 180° apart from each other
B	Minimum of 2" (50.8mm) from floor/ground to base of tank
C	Maximum of 1" (25.4mm) from to base of tank to bottom of opening

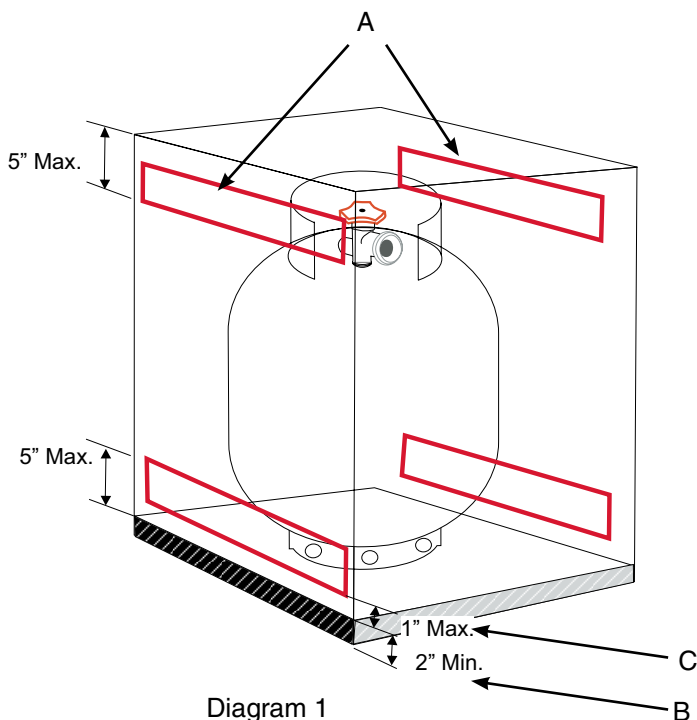


Diagram 1

OPERATING INSTRUCTIONS

- 1) Read and understand these instructions before operating this appliance.
- 2) Check to see that all wiring is correct and enclosed to prevent possible shock.
- 3) Check to ensure there are no gas leaks.
- 4) Ensure that the stainless panels are installed.
- 5) Verify log placement. If the pilot cannot be seen when lighting the unit, the logs have been incorrectly positioned.
- 6) The unit should never be turned off, and on again without a minimum of a 60 second wait.

LIGHTING PROCEDURE

- 1) Turn on ON/OFF switch.
- 2) After approximately 4 seconds the spark ignition system will spark for 60 seconds to light the main burner.
- 3) The unit will turn on.

Note: The first try for ignition will last approximately 60 seconds. If there is no flame ignition (rectification) the board will stop sparking for approximately 35 seconds. After wait time, the board will start second try for ignition by sparking for approximately 60 seconds. If there is still no positive ignition the board will go into lock out.

The system will need to be reset as follows:

- a) Turn the system off using ON/OFF switch.
- b) After approximately 2 seconds turn on ON/OFF switch.
- c) Unit will repeat step 2.

SHUTDOWN PROCEDURE

- 1) Turn ON/OFF switch.
- 2) If service is to be performed - you must disconnect both sources of power to the unit, the main power and battery.

FIRST FIRE

The first fire in your fireplace is part of the paint curing process. To ensure that the paint is properly cured, it is recommended that you burn your fireplace for at least four (4) hours the first time you use it.

When first operated, the unit will release an odour caused by the curing of the paint, the burning off of any oils remaining from manufacturing.

The glass panel may require cleaning after the unit has cooled down.

DO NOT ATTEMPT TO CLEAN THE GLASS WHILE IT IS HOT.

Note: When the glass is cold and the appliance is lit, it may cause condensation and fog the glass. This condensation is normal and will disappear in a few minutes as the glass heats up.

AERATION ADJUSTMENT

Open the air shutter for a blue flame or close for a yellower flame. The burner aeration is factory set but may need adjusting due to either the local gas supply or altitude.

Minimum Air Shutter Opening:

1/8"	Natural Gas
1/4"	Propane

CAUTION: Carbon will be produced if air shutter is closed too much.

Note: Any damage due to carboning resulting from improperly setting the aeration controls is NOT covered under warranty.

Note: Aeration Adjustment should only be performed by an authorized FPI Installer at the time of installation or service.

COPY OF LIGHTING PLATE INSTRUCTIONS

The lighting plate is located on the underside of the front access panel in the unit.

FOR YOUR SAFETY READ BEFORE LIGHTING

This appliance must be installed in accordance with local codes, if any; if none, follow the National Fuel Gas Code, ANSI Z223.1/NFPA 54, or Natural Gas and Propane Installation Codes, CSA B149.1.

WARNING: If you do not follow these instructions exactly, a fire or explosion may result causing property damage, personal injury or loss of life. Improper installation, adjustment, alteration, service or maintenance can cause injury or property damage. Refer to the owner's information manual provided with this appliance. For assistance or additional information consult a qualified installer, service agency or gas supplier.

AVERTISSEMENT. Quiconque ne respecte pas à la lettre les instructions dans la présente notice risque de déclencher un incendie ou une explosion entraînant des dommages, des blessures ou la mort.

Une installation, d'ajustement, de modification, de service ou d'entretien peut provoquer des blessures ou des dommages matériels. Reportez-vous au manuel du propriétaire de l'information fournie avec cet appareil. Pour obtenir de l'aide ou des informations supplémentaires consulter un installateur qualifié, une agence de service ou fournisseur de gaz.

A) This appliance is equipped with an ignition device which automatically lights the pilot. Do not try to light the pilot by hand.

B) BEFORE OPERATING smell all around the appliance area for gas. Be sure to smell next to the floor because some gas is heavier than air and will settle on the floor.

WHAT TO DO IF YOU SMELL GAS

- Do not try to light any appliance.
- Do not touch any electric switch, do not use any phone in your building.
- Immediately call your gas supplier from a neighbour's phone. Follow the gas supplier's instructions.
- If you cannot reach your gas supplier, call the fire department.

A) Cet appareil est muni d'un dispositif d'allumage qui allume automatiquement la veilleuse. Ne tentez pas d'allumer la veilleuse manuellement.

B) AVANT DE FAIRE FONCTIONNER, reniflez tout autour de l'appareil pour déceler une odeur de gaz. Reniflez près du plancher, car certains gaz sont plus lourds que l'air et peuvent s'accumuler au niveau du sol.

QUE FAIRE SI VOUS SENTEZ UNE ODEUR DE GAZ :

- Ne pas tenter d'allumer d'appareil
- Ne touchez à aucun interrupteur; ne pas vous servir des téléphones se trouvant dans le bâtiment.
- Appelez immédiatement votre fournisseur de gaz depuis un voisin. Suivez les instructions du fournisseur.
- Si vous ne pouvez rejoindre le fournisseur, appelez le service des incendies

CAUTION:

Hot while in operation. Do not touch. Severe Burns may result. Due to high surface temperatures keep children, clothing and furniture, gasoline and other liquids having flammable vapors away. Keep burner and control compartment clean. See installation and operating instructions accompanying appliance.

LIGHTING INSTRUCTIONS

STOP! Read the safety information on this label.

- 1) Turn on ON/OFF switch
- 2) After approximately 4 seconds the spark ignition system will spark for 60 seconds to light the main burner.
- 3) The unit will turn on.

Note: The first attempt to ignition will last approximately 60 seconds. If there is no flame ignition (rectification) the board will stop sparking for approximately 35 seconds. After this wait time, the board will start a second try for ignition by sparking for approximately 60 seconds. If there is still no positive ignition after the second attempt the board will go into lock out.

The system will need to be reset as follows (after going into lock out mode):

- a) Wait 5 minutes - turn the system off using ON/OFF switch.
- b) After approximately 2 seconds turn on ON/OFF switch.
- c) Unit will repeat step 2.

1) Appuyez le bouton ON / OFF

2) Attendre 4 secondes. Le système d'allumage produira des étincelles pendant 60 secondes afin d'amorcer le brûleur principal.

3) Les flammes s'allumeront.

Remarque : Au premier allumage, le système tente d'allumer les flammes pendant 60 secondes. Si l'essai est infructueux, le système fait une pause de 35 secondes. C'est ce qu'on appelle l'étape de rectification. Ce délai écoulé, le système tente à nouveau d'allumer les flammes en produisant des étincelles pendant 60 secondes. Si les flammes ne s'allument toujours pas, le système se met en mode verrouillage.

Il faut alors le réinitialiser en suivant les étapes ci-dessous (pour le déverrouiller) :

- a) Attendre 5 minutes et éteindre l'appareil en réglant l'interrupteur à la position « OFF »;
- b) Attendre 2 secondes et rallumer le système à l'aide de l'interrupteur.
- c) L'unité répétera l'étape 2.

TO TURN OFF GAS APPLIANCE

- 1) Turn off ON/OFF switch
- 2) If service is to be performed - you must disconnect power to the unit, from the battery pack, refer to manual
- 1) Appuyez sur le bouton ON / OFF
- 2) Si le service est effectuée, vous devez débrancher l'appareil, du bloc-piles, voir le manuel d'instruction pour plus de détails.

DO NOT REMOVE THIS INSTRUCTION PLATE

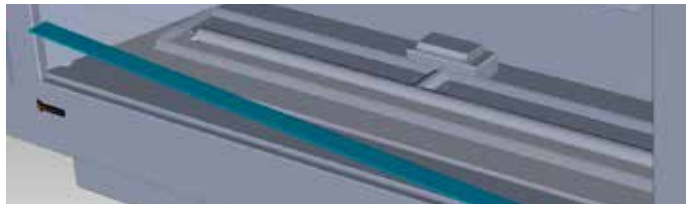
918-892a

MAINTENANCE INSTRUCTIONS

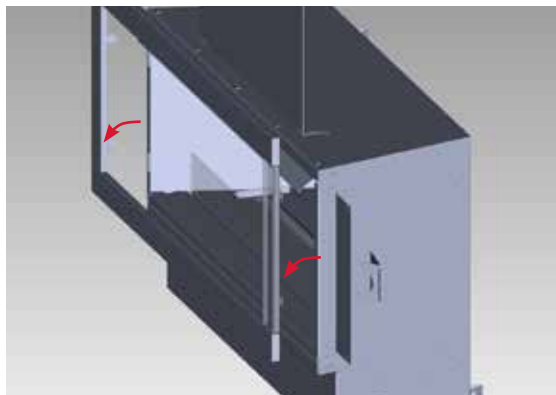
- 1) Always turn off the gas valve and unplug the batteries before cleaning. For relighting, refer to lighting instructions. Keep the burner and control compartment clean by brushing and vacuuming at least once a year. When cleaning the logs, use a soft clean paint brush as the logs are fragile and easily damaged.
- 2) Clean appliance with a damp cloth (never when unit is hot). Never use an abrasive cleaner. The glass should be cleaned with a gas fireplace glass cleaner.
- 3) Hand and finger marks should be cleaned off with a soft cloth and a stainless steel cleaner. Most stainless steel cleaners leave a film/residue on the surface of the panels. Use an ammonia based cleaner (ie. glass cleaner) to remove this film before applying heat to the unit. Failure to do this will result in burn stains on panels which you will be unable to remove.
- 4) The heater is finished in a heat resistant paint and should only be refinished with heat resistant paint. Regency® uses StoveBright Paint - Metallic Black #6309.
- 5) Make a periodic check of burner for proper position and condition. Visually check the flame of the burner periodically, making sure the flames are steady; not lifting or floating. If there is a problem, call a qualified service person.
- 6) The appliance must be inspected before use, and at least annually, by a qualified field service person, to ensure that the flow of combustion and ventilation air is not obstructed.
- 7) Do not use this appliance if any part has been under water. Immediately call a qualified service technician to inspect the appliance and to replace any part of the control system and any gas control which has been under water. This is not covered under the terms of the warranty policy.
- 9) Verify operation after servicing.

VALVE ASSEMBLY REPLACEMENT

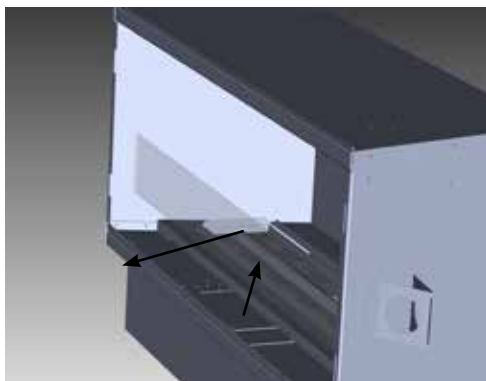
- 1) Turn the unit off and allow it to cool down to room temperature.
- 2) Turn off the gas supply to the unit.
- 3) Remove trim.



- 4) Remove the faceplate by lifting it up and off the unit.



- 5) Remove the glass wind shield by lifting it up and out- place on a soft surface.



- 6) Remove the screw and panel clip on the right side. Remove the right side panel once the clip has been removed.



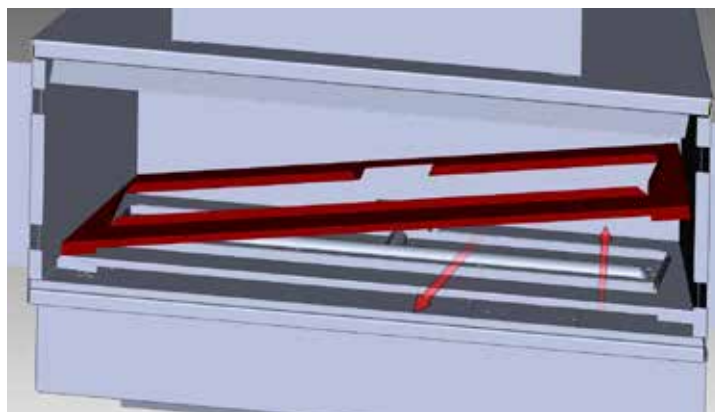
- 7) Remove the screw and panel clip on the left side. Remove the left side panel once the clip has been removed.

- 8) Remove the back panel once the 2 side panels have been removed.

- 9) Remove the front access panel by lifting up and out.



- 10) Remove the burner tray by lifting up and out.



- 11) Remove left and right screws from the burner legs.



12) Slide the burner to the right and lift up and out of the firebox.



13) Remove 6 screws in locations shown below to access DFC.



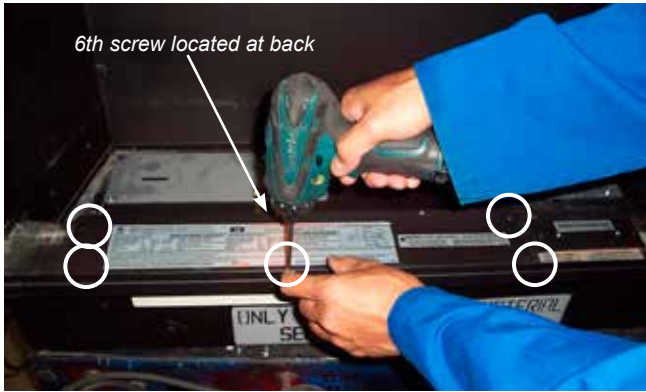
14) Remove 6 screws and lift out valve tray.



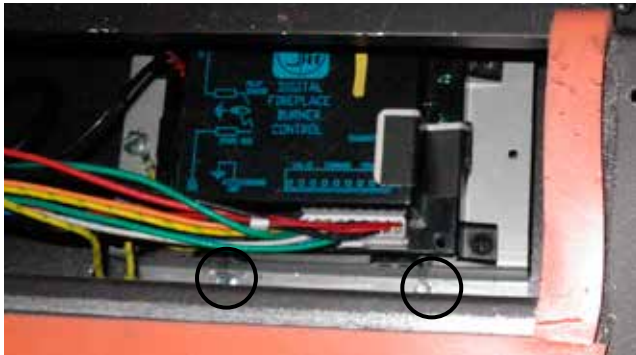
16) Replace with new valve tray and reverse steps. Inspect gasket condition, replace if necessary.

DIGITAL FIREPLACE BURNER CONTROL REMOVAL

1. Remove 6 screws in locations shown below to access DFC.



2. Remove the DFC from the floor of the firebox by removing 2 screws in locations shown below to release DFC bracket.



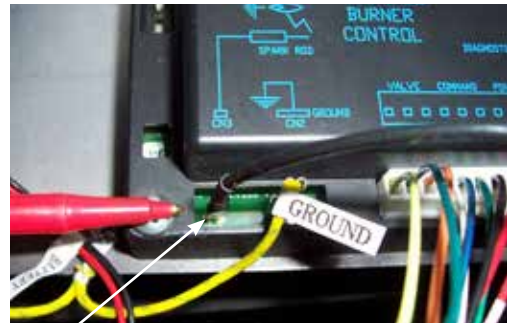
4. Disconnect the Black Pilot sensor wire with Red Spade connector from the 'ON' on DFBC (Digital fireplace burner control) box. See Diagram 1 below.



Pilot Sensor Wire

Diagram 1

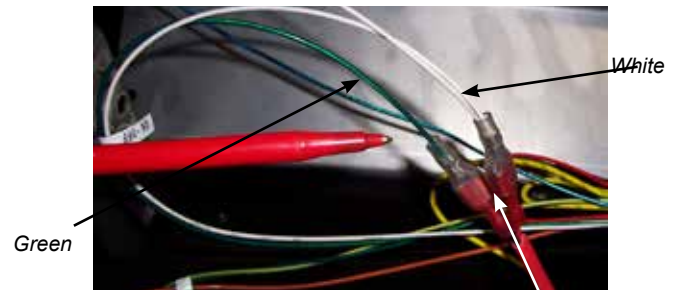
5. Disconnect the Black sparker wire with black spade connector from CN3. See Diagram 2 below.



Sparker Wire

Diagram 2

6. Disconnect the white and green On/Off switch wires. See Diagram 3 below.



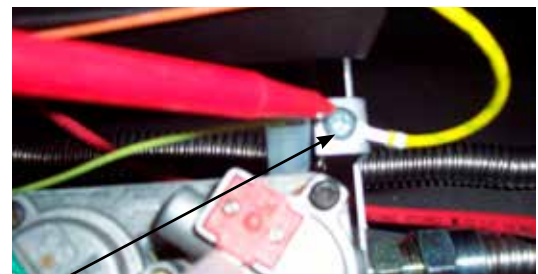
Green

White

Diagram 3

ON/OFF wires

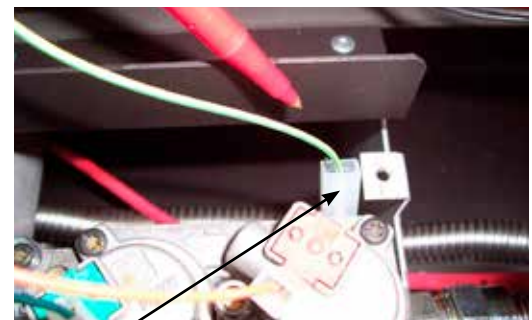
7. Disconnect the yellow ground wire with green diagonal stripe for pilot (CN2). See Diagram 4 below.



Ground wire

Diagram 4

8. Disconnect the three valve wires (yellow wire with green stripe). See Diagram 5 below.



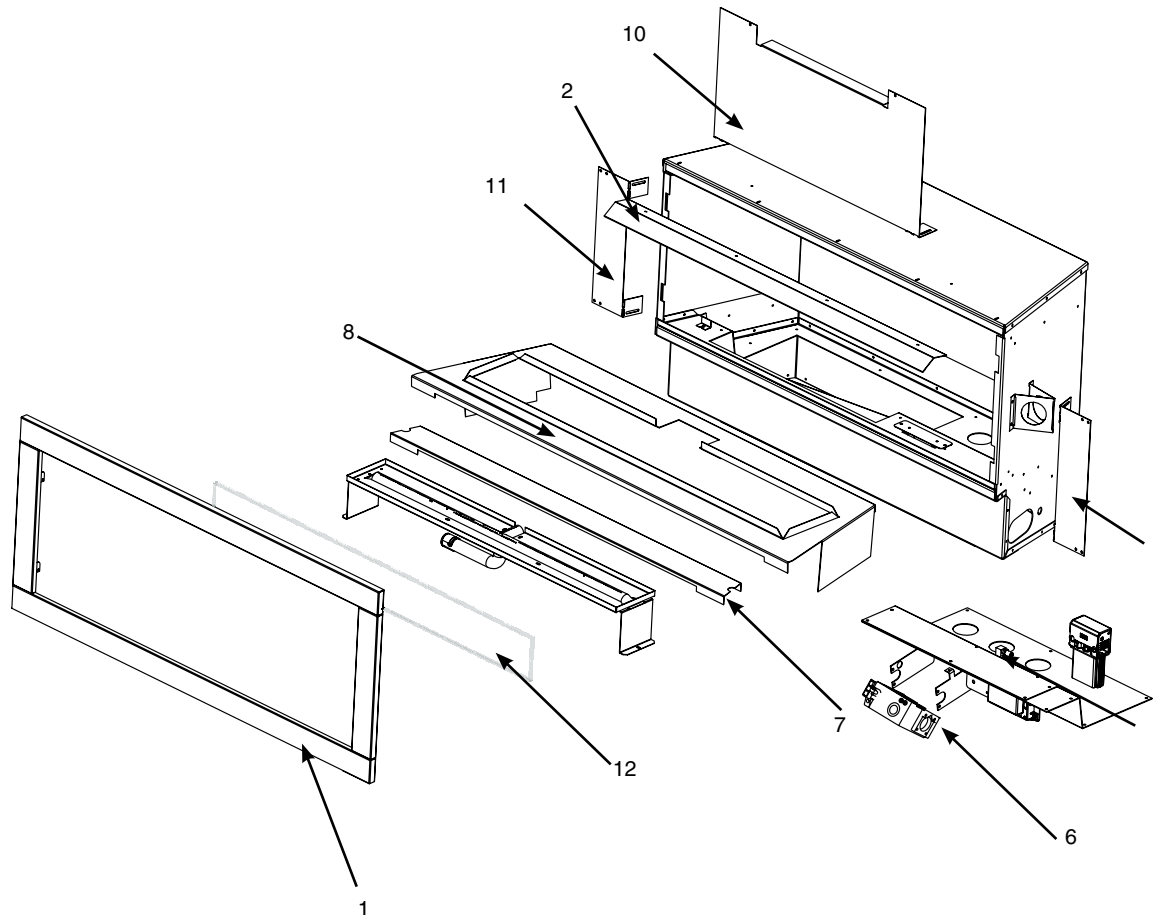
Valve wire

Diagram 5

MAIN ASSEMBLY

Part #	Description
1	326-552 2" Faceplate assembly
2	326-009 Heat Deflector
5	904-777 Orifice # 29 (NG) 904-434 Orifice # 47 (LP)
6	326-574/P Valve Assembly NG 326-576/P Valve Assembly LP 326-007/P Front access panel 326-048 Burner Tray Cover
*	Part Not Shown

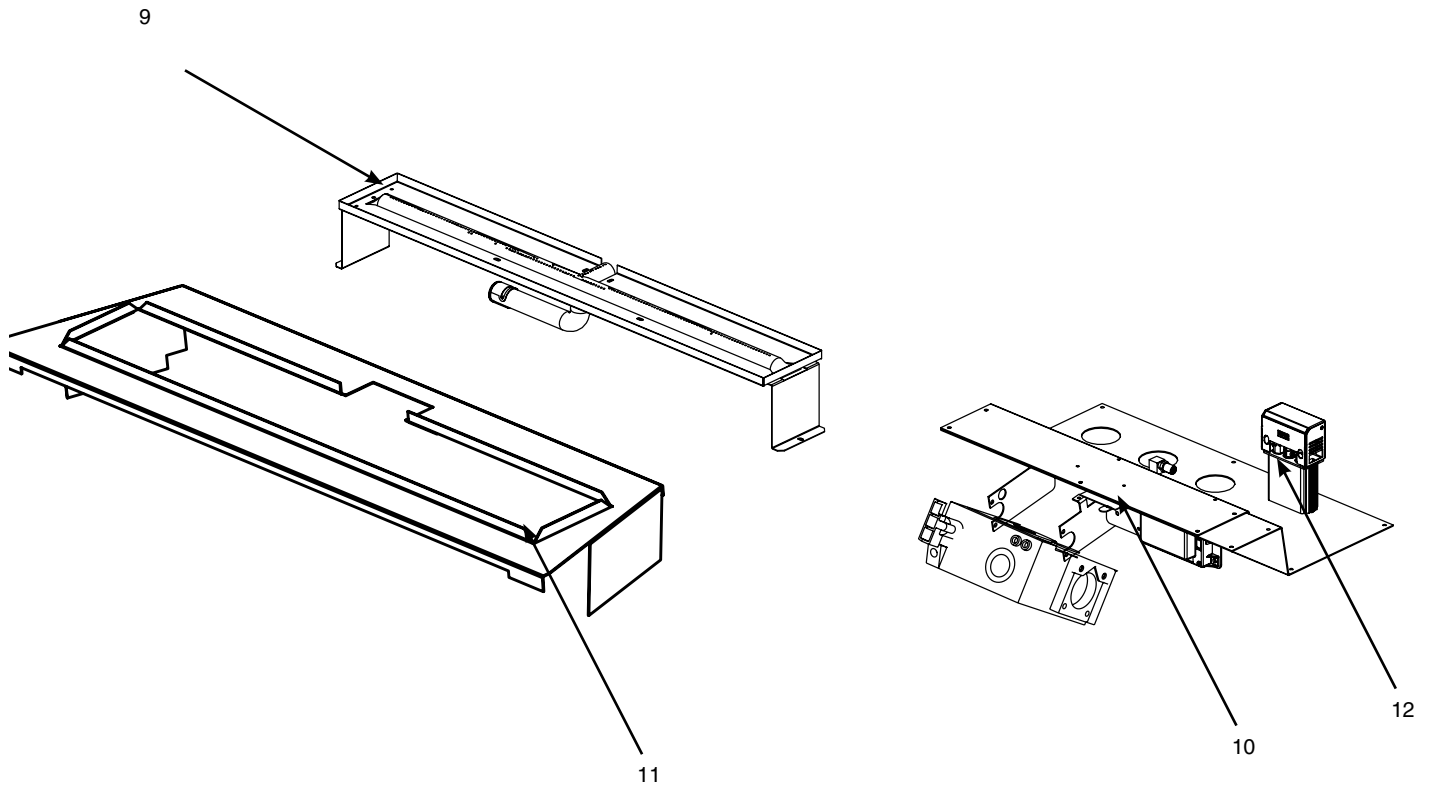
Part #	Description
10	326-036 Top nailing strip
11	326-037/F Side nailing strip
12	940-368/P Glass Windshield
*	911-012 (DFC) Digital Fireplace Control
	910-363 Wall Switch
	918-882 Manual
*	Part Not Shown



PARTS LIST

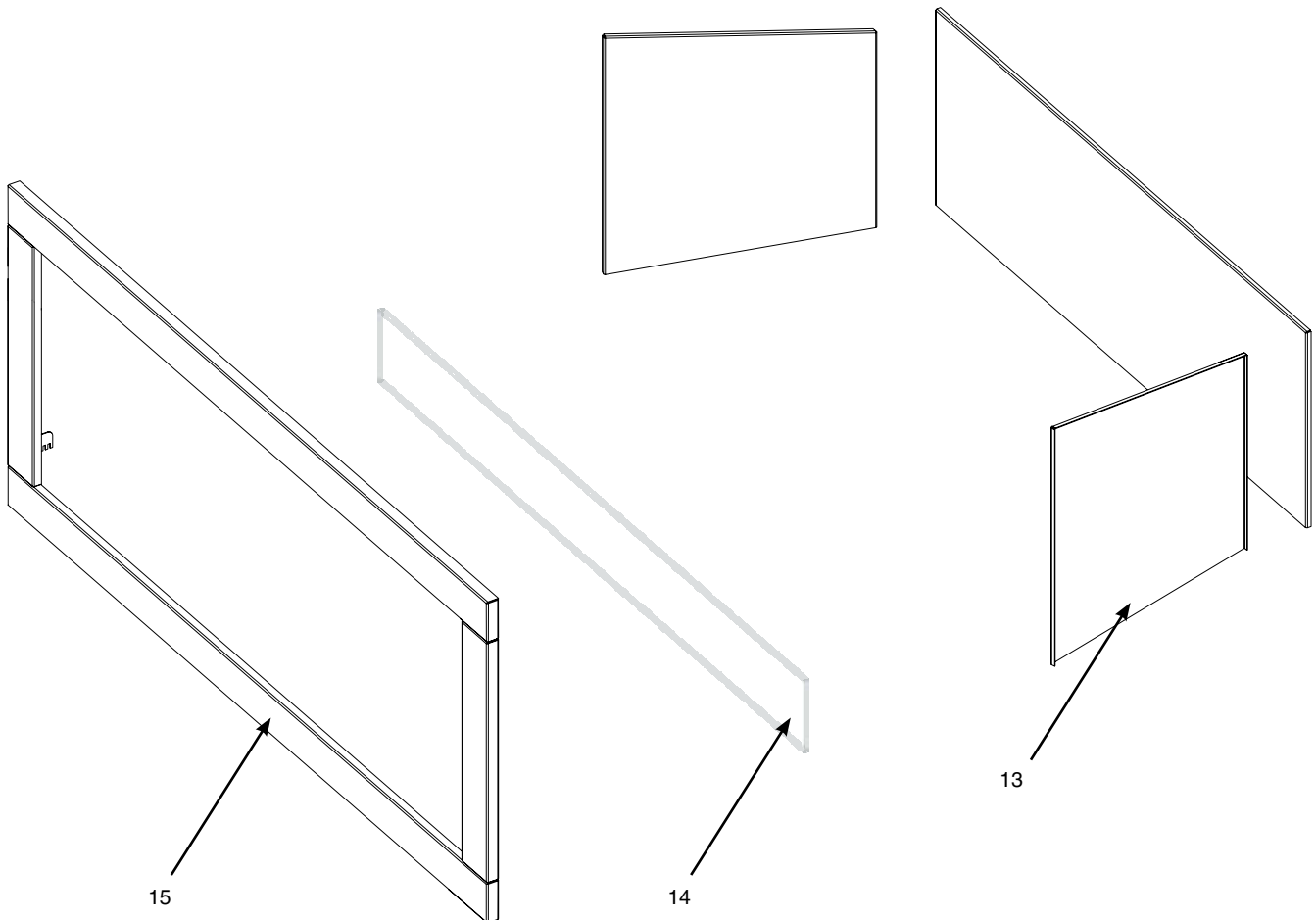
BURNER ASSEMBLY

Part #	Description	Part #	Description
9) 326-525	Burner Assembly NG	904-777	Orifice #29 NG
326-525	Burner Assembly LP	904-434	Orifice #47 LP
10) 911-024	Valve NG SIT 880	326-930	Log Set
911-025	Valve LP SIT 880		
11) 326-008	Burner Tray Cover		
12) 911-006	Pilot Assembly - NG		
911-007	Pilot Assembly - LP		
	Flame Sensor		
	Igniter		



ACCESSORIES

Part #	Description
13) 326-907	Reflective Stainless Steel Inner Panels
14) 940-368/P	Glass windshield
15) 326-552	Faceplate Brushed Stainless
946-676	Copper Glass Crystals
946-695	Garden Stones





Regency® Fireplace Products are designed with reliability and simplicity in mind. In addition, our internal Quality Assurance Team carefully inspects each unit thoroughly before it leaves our facility. FPI Fireplace Products International Ltd. is pleased to extend this limited warranty to the original purchaser of a Regency® Product. This warranty is not transferable.

Limited Warranty:

The gas valve, burner tube, pilot assembly, flame sensor, electrode, control modules, switches and wiring for battery compartment are all covered for (2) two years on parts and (1) one year on subsidized* labor only against defect in manufacture, from date of purchase.

Ceramic logs, volcanic stones, glass crystals, and tempered glass wind shield carry a (1) one year warranty against manufacturing defect, on parts, with no labor allowance, from date of purchase.

Special finishes such as stainless steel components are not covered against environmental damage including corrosion, misuse, cleaning or handling issues that cause discoloration. To receive consideration any damage claim against stainless steel components must be submitted at the time of installation. Damage from abrasive cleaners and discoloration to stainless components caused by heat, are not covered under warranty. Damage reported after installation will not be covered.

Repair/replacement parts purchased by the consumer from FPI after the original coverage has expired on the unit will carry a 90 day warranty, valid only with a receipt. Any item shown to be defective will be repaired or replaced at our discretion. No labor coverage is included with these parts.

Conditions:

Any part or parts of this unit which in our judgement show evidence of such defects will be repaired or replaced at FPI's option, through an accredited distributor or agent provided that the defective part be returned to the distributor or agent Transportation Prepaid, if requested.

It is the general practice of FPI to charge for larger, higher priced replacement parts and issue credit once the replaced component has been returned to FPI and evaluated for manufacturer defect.

The authorized selling dealer is responsible for all in-field service work carried out on your Regency® product. FPI will not be liable for results or costs of workmanship from unauthorized service persons or dealers.

At all times FPI reserves the right to inspect product in the field which is claimed to be defective.

All claims must be submitted to FPI by authorized selling dealers. It is essential that all submitted claims provide all of the necessary information including customer name, purchase date, serial #, type of unit, problem, and part or parts requested, without this information the warranty will be invalid.

Exclusions:

Batteries are not covered under warranty policy.

At no time will FPI be liable for any consequential damages which exceed the purchase price of the unit. FPI has no obligation to enhance or modify any unit once manufactured. ie. as products evolve, field modifications or upgrades will not be performed.

FPI will not be liable for travel costs for service work.

Installation and environmental problems are not the responsibility of the manufacturer and therefore are not covered under the terms of this warranty policy.

Any unit which shows signs of neglect or misuse is not covered under the terms of this warranty policy.

The warranty will not extend to any part which has been tampered with or altered in any way, or in our judgment has been subject to misuse, improper installation, negligence or problems caused by environmental or geographical conditions, inadequate ventilation.

Freight damage to stoves and replacement parts is not covered by warranty and is subject to a claim against the freight carrier by the dealer.

FPI will not be liable for acts of God, or acts of terrorism, which cause malfunction of the appliance.

Malfunction | damage of this appliance due to mother nature (wind, rain, snow, etc.) is not covered under the terms of the warranty policy.

Performance problems due to operator error will not be covered by this warranty policy.

Products made or provided by other manufacturers and used in conjunction with the operation of this appliance without prior authorization from FPI, may create a danger and nullify your warranty on this product.

Any alteration to the unit which causes sooting or carboning that results in damage to the interior / exterior facia is not the responsibility of FPI.

* Subsidy according to job scale as predetermined by FPI.

Register your Regency® warranty online www.regency-fire.com

Reasons to register your product online today!

- View and modify a list of all your registered products.
- Request automatic email notification of new product updates.
- Stay informed about the current promotions, events, and special offers on related products.

Installer: Please complete the following information

Dealer Name & Address: _____

Installer: _____

Phone #: _____

Date Installed: _____

Serial No.: _____



Horizon HZO42 Product Video